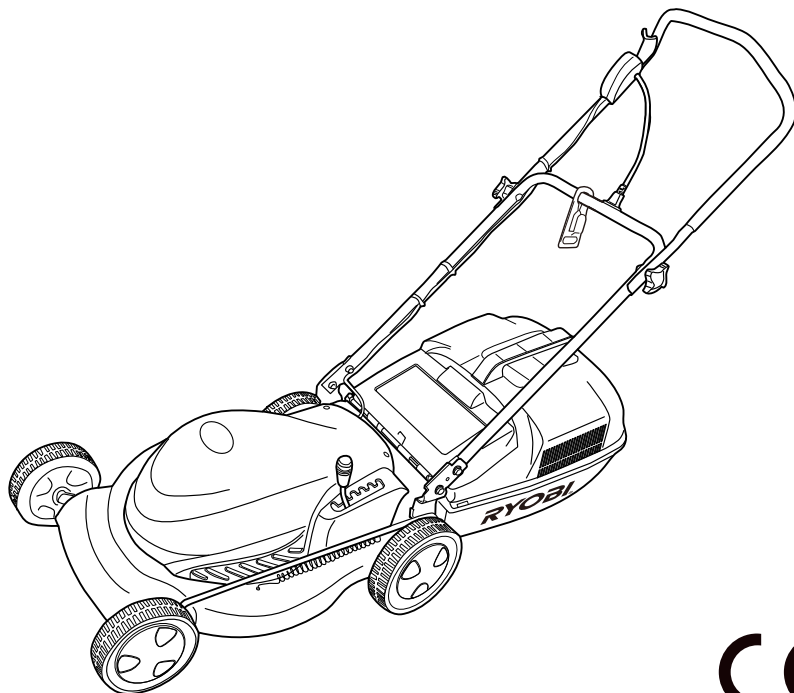


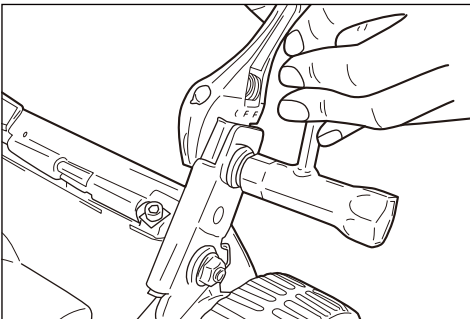
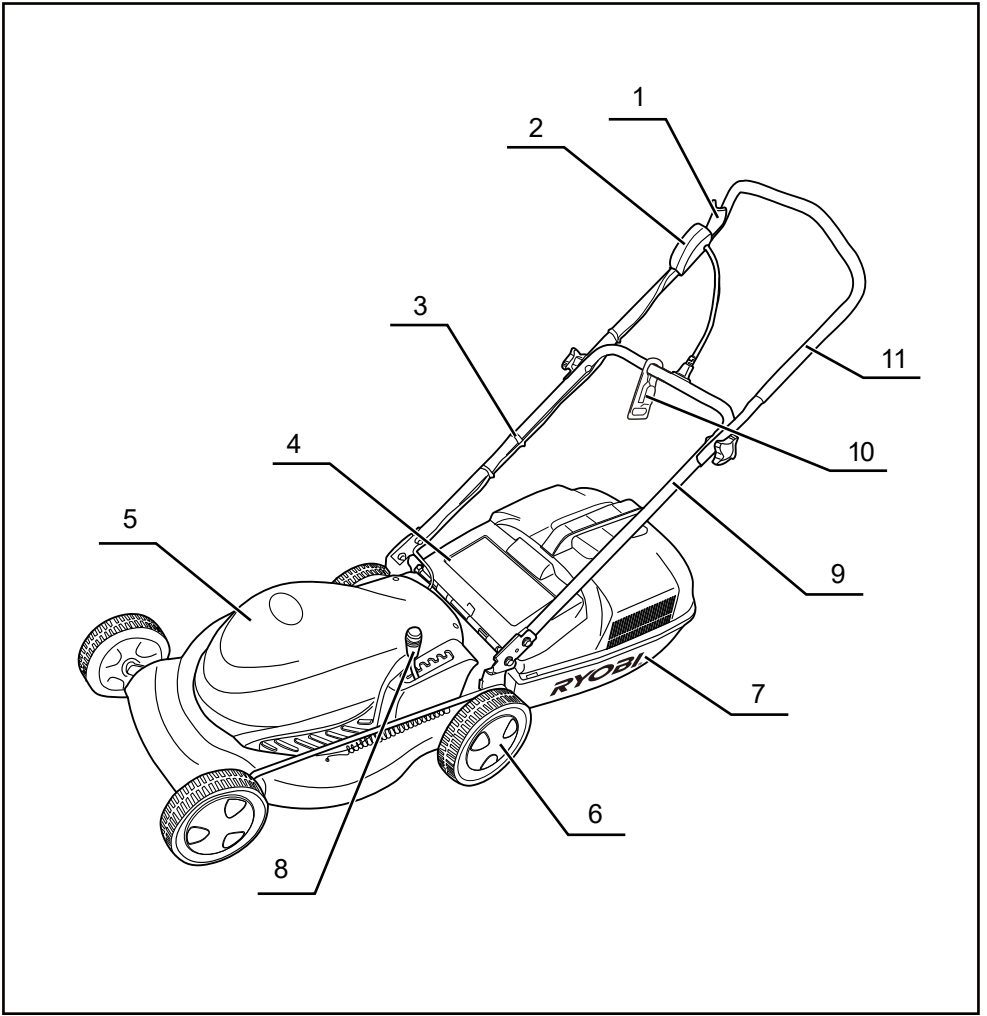
RYOBI®

RM-2010

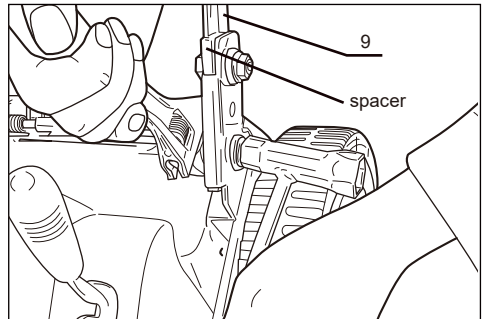
GB OWNER'S OPERATING MANUAL



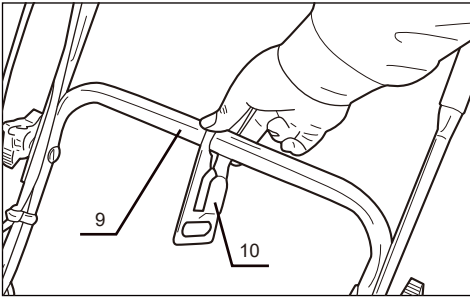
CE



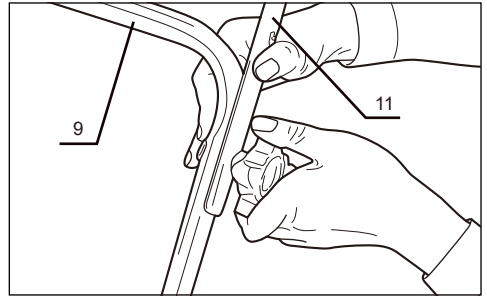
1



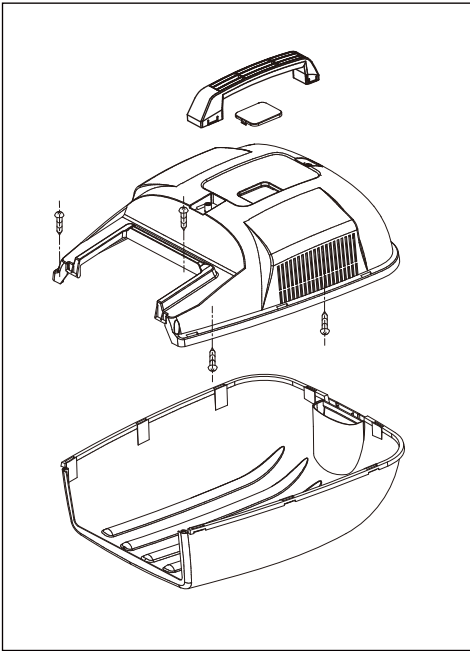
2



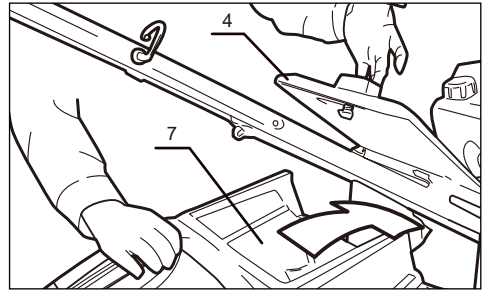
3



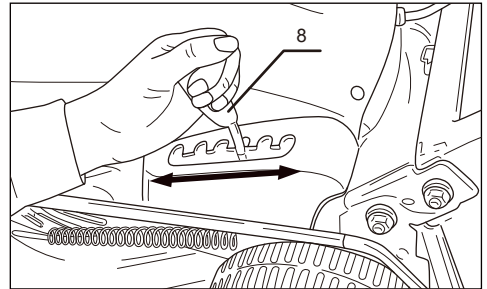
4



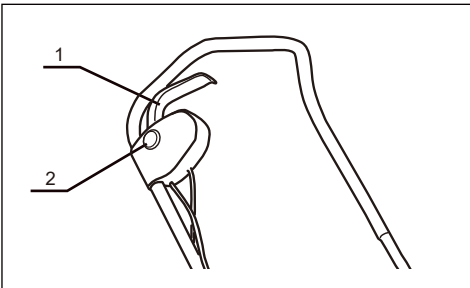
5



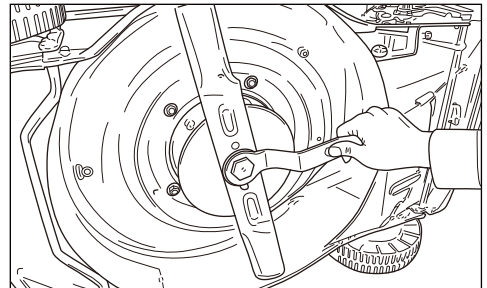
6



7



8



9

THANK YOU FOR BUYING A RYOBI PRODUCT.

To ensure your safety and satisfaction, carefully read through this OWNER'S MANUAL before using the product.

General Safety Rules

WARNING! Read all instructions. Failure to follow all instructions listed below may result in electric shock, fire and/or serious injury. The term "power tool" in all of the warnings listed below refers to your mains-operated (corded) power tool or battery-operated (cordless) power tool.

SAVE THESE INSTRUCTIONS**1) Work area**

- a) **Keep work area clean and well lit.** Cluttered and dark areas invite accidents.
- b) **Do not operate power tools in explosive atmospheres, such as in the presence of flammable liquids, gases or dust.** Power tools create sparks which may ignite the dust or fumes.
- c) **Keep children and bystanders away while operating a power tool.** Distractions can cause you to lose control.

2) Electrical safety

- a) **Power tool plugs must match the outlet. Never modify the plug in any way. Do not use any adapter plugs with earthed (grounded) power tools.** Unmodified plugs and matching outlets will reduce risk of electric shock
- b) **Avoid body contact with earthed or grounded surfaces such as pipes, radiators, ranges and refrigerators.** There is an increased risk of electric shock if your body is earthed or grounded.
- c) **Do not expose power tools to rain or wet conditions.** Water entering a power tool will increase the risk of electric shock.
- d) **Do not abuse the cord. Never use the cord for carrying, pulling or unplugging the power tool. Keep cord away from heat, oil, sharp edges or moving parts.** Damaged or entangled cords increase the risk of electric shock.
- e) **When operating a power tool outdoors, use an extension cord suitable for outdoor use.** Use of a cord suitable for outdoor use reduces the risk of electric shock.

3) Personal safety

- a) **Stay alert, watch what you are doing and use common sense when operating a power tool. Do not use a power tool while you are tired or under the influence of drugs, alcohol or medication.** A moment of inattention while operating power tools may result in serious personal injury.
- b) **Use safety equipment. Always wear eye protection.** Safety equipment such as dust mask, non-skid safety shoes, hard hat, or hearing protection used for appropriate conditions will reduce personal injuries.

- c) **Avoid accidental starting. Ensure the switch is in the off-position before plugging in.** Carrying power tools with your finger on the switch or plugging in power tools that have the switch on invites accidents.
- d) **Remove any adjusting key or wrench before turning the power tool on.** A wrench or a key left attached to a rotating part of the power tool may result in personal injury.
- e) **Do not overreach. Keep proper footing and balance at all times.** This enables better control of the power tool in unexpected situations.
- f) **Dress properly. Do not wear loose clothing or jewellery. Keep your hair, clothing and gloves away from moving parts.** Loose clothes, jewellery or long hair can be caught in moving parts.
- g) **If devices are provided for the connection of dust extraction and collection facilities, ensure these are connected and properly used.** Use of these devices can reduce dust-related hazards.

4) Power tool use and care

- a) **Do not force the power tool. Use the correct power tool for your application.** The correct power tool will do the job better and safer at the rate for which it was designed.
- b) **Do not use the power tool if the switch does not turn it on and off.** Any power tool that cannot be controlled with the switch is dangerous and must be repaired.
- c) **Disconnect the plug from the power source before making any adjustments, changing accessories, or storing power tools.** Such preventive safety measures reduce the risk of starting the power tool accidentally.
- d) **Store idle power tools out of the reach of children and do not allow persons unfamiliar with the power tool or these instructions to operate the power tool.** Power tools are dangerous in the hands of untrained users.
- e) **Maintain power tools. Check for misalignment or binding of moving parts, breakage of parts and any other condition that may affect the power tools operation. If damaged, have the power tool repaired before use.** Many accidents are caused by poorly maintained power tools.
- f) **Keep cutting tools sharp and clean.** Properly maintained cutting tools with sharp cutting edges are less likely to bind and are easier to control.
- g) **Use the power tool, accessories and tool bits etc., in accordance with these instructions and in the manner intended for the particular type of power tool, taking into account the working conditions and the work to be performed.** Use of the power tool for operations different from intended could result in a hazardous situation.

5) Service

- a) **Have your power tool serviced by a qualified repair person using only identical replacement parts.** This will ensure that the safety of the power tool is maintained.

INSTRUCTIONS FOR SAFE HANDLING

1. Make sure that the tool is only connected to the voltage marked on the name plate.
2. Never use the tool if its cover or any bolts are missing. If the cover or bolts have been removed, replace them prior to use. Maintain all parts in good working order.
3. Always secure tools when working in elevated positions.
4. Never touch the blade or other moving parts during use.
5. Never start a tool when its rotating component is in contact with the workpiece.
6. Never lay a tool down before its moving parts have come to a complete stop.
7. **ACCESSORIES:** The use of accessories or attachments other than those recommended in these instructions might present a hazard.
8. **REPLACEMENT PARTS:** When servicing use only identical replacement parts.

SPECIFIC SAFETY RULES FOR LAWNMOWER

1. Never allow children or people unfamiliar with these instructions to use the lawnmower.
2. This appliance is not intended for used by persons (including children) with reduced physical, sensory or mental capabilities, or lack of experience and knowledge, unless they have been given supervision or instruction concerning use of the appliance by a person responsible for their safety.
Children should be supervised to ensure that they do not play with the appliance.
3. Never mow while people, especially children or pets, are nearby.
4. Do not operate the lawnmower when barefoot or wearing open sandals, always wear substantial footwear and long trousers.
5. Thoroughly inspect the area where the lawnmower is to be used and remove all stones, sticks, wires, bones and other foreign objects.
6. Before using, always visually inspect to see that the blades, blade bolts and cutter assembly are not worn or damaged. Replace worn or damaged blades and bolts in sets to preserve balance.
7. Mow only in daylight or in good artificial light.
8. Avoid operating the lawnmower in wet grass, where feasible.
9. Walk, never run.
10. Never operate the appliance with defective guards or shields, or without safety devices, for example deflectors and/or grass catchers in place.
11. Mowing on banks can be dangerous:
 - Do not mow excessively steep slopes.
 - Always be sure of your footing on slopes or wet grass.
 - Mow across the face of slopes - never up and down.
 - Exercise extreme caution when changing direction on slopes.

12. Use extreme caution when stepping back or pulling the lawnmower towards you.
13. Never mow by pulling the mower towards you.
14. Stop the blades if the lawnmower has to be tilted for transportation when crossing surfaces other than grass and when transporting the lawnmower to and from the area to be mowed.
15. Do not tilt the machine when starting or switching on the motor, except if the machine has to be tilted for starting in long grass. In this case, do not tilt it more than absolutely necessary and tilt only the part which is away from the operator. Always ensure that both hands are in the operating position before returning the machine to the ground.
16. Switch on the lawnmower according to instructions and with feet well away from the blades.
17. Do not put hands or feet near or under rotating parts. Keep clear of discharge opening at all times.
18. Never pick up or carry the lawnmower while the motor is running.
19. Keep all nuts, bolts and screws tight to be sure that the lawnmower is in safe working condition.
20. Check the grass catcher frequently for wear or deterioration.
21. Replace worn or damaged parts for safety.

DESCRIPTION

1. Switch lever
2. Safety lock off button
3. Cable retainer
4. Rear deflector
5. Motor
6. Wheel
7. Grass catcher
8. Cutting height adjustment lever
9. Lower handle bar
10. Cable cleat
11. Upper handle bar

SPECIFICATION

Voltage	230V~50Hz
Power input	2,000W
No load speed	2,850min ⁻¹
Cutting width	460mm
Cutting height	25/30/40/50/60/70mm
Collection box capacity	50L
Net weight	25.0kg

ASSEMBLY

HANDLE BAR

1. Prior to fixing the handlebar, remove the nuts and bolts from the mower deck. (Fig. 1)
2. Align the Lower Handlebar (complete with cable cleat) with the mower deck. Make sure the insulation grommet, spacer are in places as shown. (Fig. 2)
3. Insert Assembly bolts (ensuring that the nuts can be positioned to the outside).
4. Align nuts and hand tighten only.
5. Repeat on the other side.
6. Finally securely tighten the nuts and bolts, using the spanner provided.
7. Position the cable cleat in the middle of lower handle. (Fig. 3)
8. Position the upper handlebar to the lower handlebar. Insert the Handlebar securing knobs and tighten. (Fig. 4)
NOTE! Hand tighten only as this knob needs to be released for storage.
9. Repeat on the other side.
10. Use cable retainer to keep cable in place.

CABLE CLEAT

The power supply cable should be inserted and looped around the Cable cleat, this will remove any strain being placed on the Switch control unit.

GRASS CATCHER

Following the Fig. 5, assemble the grass catcher and secure it with screws.

ATTACHING THE GRASS CATCHER

1. Raise the Rear Deflector on the Mower Deck.
2. Pass the Grass Catcher under the Handlebar, align the attachment hooks and place the grass catcher in to position. (Fig. 6)
3. Lower the rear deflector, so that it now rests on the grass catcher.

OPERATION

ADJUSTING THE CUTTING HEIGHT

NOTE! Stop, release switch lever and wait until the motor stops before adjusting height. The blades continue to rotate for a few seconds after the machine is switched off, a rotating blade can cause injury.

For the first cut of the season, a high cutting adjustment should be selected.

1. Move the cutting height adjustment lever sideways, to disengage it from the locking notch.
2. Pull the lever backwards to lower the cut height. Push forwards to raise the cut height. (Fig. 7)
3. Release the lever in the required position, ensuring that it locks firmly into one of the five notched settings.

STARTING AND STOPPING

NOTE: The blade continues to rotate for a few seconds after the machine is switched off. Allow the motor/blade to stop rotating before switching "on" again. Do not rapidly switch off and on.

Starting:

- 1 Set the mower to the required ' cutting height ' .
- 2 Connect the mower to your power supply socket .
- 3 To start , press and hold the safety lock-off button (2) , and squeeze the switch lever (1) towards the handle .

Stopping:

To stop , release the switch lever .

MOWING

Place the lawnmower on the edge of the lawn, as close to the power point as possible. Work away from the power point.

Position the cable to opposite side (already cut) at the end of each turn.

WARNING! When mowing do not allow the motor to labour particularly in heavy conditions. When the motor labours the speed of the motor drops and you will hear a change in the motor sound, when this occurs stop mowing, release the switch lever and raise the height of cut. Failure to do so could damage the machine.

HEAVY GROWTH

1. Areas of heavy growth should be mown without collecting the clippings.
2. If collection is required, firstly mow the area using the maximum cutting height setting, without the grass collection bag attached.
3. Allow the clippings to dry out.
4. Attach the grass collection bag and mow the area, again using the maximum cutting height setting.
5. Progressively lower the cutting height setting and mow the area again until the required finish is obtained.

NOTE! To prevent damage to the grass, do not remove more than one third of the grass's height on any one cut.

NOTE! When the blade becomes jammed or if the motor is overloaded, remove the plug from the power supply. Clear any obstruction and wait for a few minutes before continuing to use the mower.

MAINTENANCE

For the first cut of the season, a high cutting adjustment should be selected.

SAFETY

Before any inspection, maintenance or cleaning of the mower is conducted.

1. Ensure that the cutting blade has fully stopped rotating.
2. The mower is disconnected from the mains power supply.

BEFORE EACH USE

NOTE! Care should be taken when turning the mower unit for inspection or cleaning.

1. Remove any grass and debris from around the cutting height adjustment lever, the air filter in the cowl and the underside of the mower deck.
2. Ensure the grass collection bag is empty, and inspect for signs of damage.
3. Check the condition of the rear deflector, along with the mower deck.
4. Inspect the condition of the cutting blade - note: wear strong gloves when working with or around the cutting blade.
5. Ensure that the cutting blade is not bent or cracked.
6. Check the condition of the blade and it's mountings.
7. Check that the fixing bolt is secure.
8. Check the power supply cable
9. Inspect the 'Switch control & safety button'.
10. Check that all securing nuts and bolts are tight.

WARNING! If signs of damage are found, the mower unit should not be used until fully repaired by a qualified person.

LUBRICATE THE WHEELS, PIVOT POINTS AND LINKAGES AFTER 25 HOURS OF USE

REPLACE THE CUTTING BLADE AFTER 50 HOURS OF USE

GENERAL MAINTENANCE

1. Remove all grass debris from the top and underside of the mower deck, as well as from around the ventilation holes, immediately after use - note: wear strong gloves when working with or around the cutting blade.
2. Motor unit - this motor unit is maintenance free and should not be accessed by anyone other than an approved maintenance engineer. (Fig. 9)
3. Switch control & safety button - is maintenance free and should not be accessed by anyone other than a approved maintenance engineer.

CUTTING BLADE

1. The cutting blade has sharp edges, always wear strong gloves to protect your hands when working with or around the cutting blade.
2. Always work away from the cutting edges of the blade to avoid the risk of injury.
3. Care should be taken when turning or lifting the mower unit.
4. It is recommended that the cutting blade is replaced every two years or after 50 hours operation, whichever occurs the sooner.
5. Damaged or worn blades should be replaced immediately.

BLADE REPLACEMENT (Fig. 9)

1. Turn the mower unit on to its side.
2. Firmly grip the end of the cutting blade - with a gloved hand.
3. Remove the fixing bolt, with the spanner provided.
4. Carefully remove the cutting blade.
5. Ensure that the 'New' cutting blade is the correct way up, with the turned edges facing towards the motor.
6. Locate the 'New' blade into position on the carrier pins.
7. Secure the fixing bolt and tighten.
8. Return the mower unit to an upright position.

POWER SUPPLY CABLE

Before use, the power supply cable should be inspected for signs of damage or ageing.

DO NOT USE ANY POWER TOOLS IF THE CABLE IS DAMAGED OR WORN.

NOTE! All electrical inspections and repairs should be conducted by a qualified electrician.

STORAGE FOR LONGER PERIODS

NOTE! To ensure your mower is maintained in good working order, if the storage period exceeds one month it is important that the following is adopted:

1. Clean all areas of the mower, ensure that the grass collection box is empty and clean.
2. Lubricate the wheels, pivot points and linkages.
3. Cover all metal parts with oil to prevent corrosion.
4. Cover the mower with a protective sheet and store in a dry area.

RYOBI POWER EQUIPMENT WARRANTY

Subject to the warranty conditions below, this RYOBI tool (hereinafter called "the Product"), is warranted by Ryobi (herein called "the Company") to be free from defects in material or workmanship for a period of 24 months from the date of original purchase covering both parts and labour. Under the terms of this warranty, the repair or replacement of any part shall be the opinion of the Company or its authorised agent. Should service become necessary during the warranty period, the owner should contact the authorised Ryobi retailer from whom the product was purchased, or the nearest Company branch office. In order to obtain warranty service, the owner must include the Sales Docket and Warranty Certificate to confirm date of purchase. This Product is sold by the dealer or agent as principal and the dealer has no authority from the Company to give any additional warranty or guarantee on the Company's behalf except as herein contained or herein referred to.

Warranty Conditions

This warranty only applies provided that the Product has been used in accordance with the manufacturer's recommendations under normal use and reasonable care (in the opinion of the Company) and such warranty does not cover consumable components, damage, malfunction or failure resulting from

misuse, neglect, abuse, or used for a purpose for which it was not designed, or is not suited and no repairs, alterations or modifications have been attempted by other than an Authorised Service Agent. This guarantee will not apply if the tool is damaged by accident or if repairs arise from normal wear and tear.

Accessories such as bits, blades, sanding discs, cutting lines, etc., are excluded from this guarantee. Normal consumable parts, such as carbon brushes, bearings, chucks, cord assembly's, spark plugs, recoil pulleys and bump head assembly's are specifically excluded from this guarantee.

The Company accepts no additional liability pursuant to this warranty for the costs of traveling or transportation of the Product or parts to and from the service dealer or agent - which costs are not included in the warranty.

Nothing herein shall have the effect of excluding, restricting or modifying any conditions, warranty, right or liability imposed, to the extent only that such exclusion, restriction or modification would render any term herein void.



STEVENS & CO (Pty) Ltd

604, 16th Street, Randjespark
Midrand, South Africa

P O Box 4059
HALFWAY HOUSE
1685, South Africa

Tel: +27 (11) 357-9600
Fax: +27 (11) 805-5541
email: stevens@ryobi.co.za

THIS WARRANTY FORM SHOULD BE RETAINED BY THE CUSTOMER AT ALL TIMES.

For your record and to assist in establishing date of purchase (necessary for in-warranty service), please keep your purchase docket and this form, completed with the following particulars.

PURCHASED FROM:.....

ADDRESS OF DEALER:.....

DATE:..... MODEL NO..... SERIAL NO.....

Present this form with your Purchase Docket when Warranty Service is required.