

**RYOBI POWER EQUIPMENT  
WARRANTY**

Subject to the warranty conditions below, this RYOBI tool (hereinafter called "the Product"), is warranted by Ryobi (herein called "the Company") to be free from defects in material or workmanship for a period of 24 months from the date of original purchase covering both parts and labour. Under the terms of this warranty, the repair or replacement of any part shall be the opinion of the Company or its authorised agent. Should service become necessary during the warranty period, the owner should contact the authorised Ryobi retailer from whom the product was purchased, or the nearest Company branch office. In order to obtain warranty service, the owner must include the Sales Docket and Warranty Certificate to confirm date of purchase. This Product is sold by the dealer or agent as principal and the dealer has no authority from the Company to give any additional warranty or guarantee on the Company's behalf except as herein contained or herein referred to.

**Warranty Conditions**

This warranty only applies provided that the Product has been used in accordance with the manufacturer's recommendations under normal use and reasonable care (in the opinion of the Company) and such warranty does not cover consumable components, damage, malfunction or failure resulting from

misuse, neglect, abuse, or used for a purpose for which it was not designed, or is not suited and no repairs, alterations or modifications have been attempted by other than an Authorised Service Agent. This guarantee will not apply if the tool is damaged by accident or if repairs arise from normal wear and tear.

Accessories such as bits, blades, sanding discs, cutting lines, etc., are excluded from this guarantee. Normal consumable parts, such as carbon brushes, bearings, chucks, cord assembly's, spark plugs, recoil pulleys and bump head assembly's are specifically excluded from this guarantee.

The Company accepts no additional liability pursuant to this warranty for the costs of traveling or transportation of the Product or parts to and from the service dealer or agent - which costs are not included in the warranty.

Nothing herein shall have the effect of excluding, restricting or modifying any conditions, warranty, right or liability imposed, to the extent only that such exclusion, restriction or modification would render any term herein void.



**STEVENS & CO (Pty) Ltd**  
604, 16th Street, Randjespark  
Midrand, South Africa

P O Box 4059  
HALFWAY HOUSE  
1685, South Africa

Tel: +27 (11) 357-9600  
Fax: +27 (11) 805-5541  
email: [stevens@ryobi.co.za](mailto:stevens@ryobi.co.za)

**THIS WARRANTY FORM  
SHOULD BE RETAINED BY THE CUSTOMER AT ALL TIMES.**

For your record and to assist in establishing date of purchase (necessary for in-warranty service), please keep your purchase docket and this form, completed with the following particulars.

PURCHASED FROM:.....  
ADDRESS OF DEALER:.....  
DATE:..... MODEL NO..... SERIAL NO.....

Present this form with your Purchase Docket when Warranty Service is required.



**CHT-40K**

**GB** OWNER'S OPERATING MANUAL



# RYOBI®

## OWNER'S OPERATING MANUAL

### MINI TOOL KIT

#### MODEL CHT-40K

#### SPECIFICATIONS

|                     |              |
|---------------------|--------------|
| Voltage .....       | 230V~50Hz    |
| Wattage .....       | 130W         |
| No load speed ..... | 0-30000r/min |
| Collet size .....   | 2.2-3.2mm    |
| Nett weight .....   | 0.6kg        |

#### THANK YOU FOR BUYING A RYOBI MINI TOOL KIT

Your new mini tool kit has been engineered and manufactured to Ryobi's high standard of dependability, ease of operation, and operator safety. Properly cared for, it will give you years of rugged, trouble free performance. If you use your mini tool kit properly and only for what it is intended, you will enjoy years of safe, reliable service.



**CAUTION:** Carefully read through this entire owner's manual, pay close attention to the general safety rules and rules for safe operation, before using.

**KEEP THIS MANUAL FOR FUTURE REFERENCE**

#### GENERAL SAFETY RULES

The purpose of safety rules is to attract your attention to possible dangers. The safety symbols and the explanations with them, require your careful attention and understanding. The safety warnings by themselves do not eliminate any danger. The instruction or warnings they give are not substitutes for proper accident prevention measures.



#### SAFETY ALERT SYMBOL

Indicates danger, caution or warning. May be used in conjunction with other symbols or pictures.

Failure to obey a safety warning can result in serious injury to yourself or to others. Always follow the safety precautions to reduce the risk of fire, electric shock and personal injury.

Do not attempt to operate this tool until you have read thoroughly and completely understood the safety rules, etc. contained in this manual. Failure to comply can result in accidents involving fire, electric shock or serious personal injury. Save this *Owners Operating Manual* and review it frequently for continual safe operation and for instructing others who may use this tool.



The operation of any tool can result in foreign objects being thrown into your eyes, which can result in severe eye damage. Before beginning power tool operation, always wear safety goggles or safety glasses with side shields and a full face shield when needed. We recommend Wide Vision Safety Mask for use over eye glasses or standard safety glasses with side shields.

**WARNING:** This machine is manufactured in accordance with the relevant safety requirements. To assure safety and reliability, all repairs should be performed by an Authorised Service Centre or other Qualified Service Organisations

#### RULES FOR SAFE OPERATION

- 1. KNOW YOUR TOOL.** Read this *Owners Operating Manual* carefully. Learn its applications and limitations as well as the specific potential hazards related to this tool.
- 2. GUARD AGAINST ELECTRICAL SHOCK.** Prevent body contact with grounded surfaces and objects such as water pipes, radiators, cookers and refrigerator enclosures.
- 3. KEEP WORK AREA CLEAN.** Cluttered work areas and benches invite accidents and injury.
- 4. AVOID DANGEROUS WORK ENVIRONMENTS.** Do not use power tools in damp or wet locations or expose power tools to rain. Do not use power tools in the presence of flammable liquids or gases as normal sparking of the motor could ignite fumes. Keep work areas well lit.
- 5. KEEP CHILDREN AND VISITORS AWAY.** Visitors and children should wear safety glasses and be kept a safe distance from the work area. Do not let others make contact with the tool or extension cord.
- 6. AVOID UNINTENTIONAL STARTING.** Always check that the switch is in the OFF position before plugging in the tool to the power supply. Do not carry a plugged in tool with your finger on the switch.
- 7. STORE TOOLS SAFELY.** When not in use, tools should be stored in a dry, high and locked-up place, out of reach of children.
- 8. DISCONNECT IDLE TOOLS.** Switch off the power and disconnect the plug from the power supply before servicing, when changing accessories and when the tool is not in use.
- 9. DO NOT FORCE THE TOOL.** The tool will do the job better and safer working at the rate for which it was designed.
- 10. USE THE CORRECT TOOL FOR THE JOB.** Do not force small tools or attachments to do the job of a heavier duty tool. Never use a tool for a purpose for which it was not intended.
- 11. DRESS CORRECTLY.** Do not wear loose clothing or jewelry, they can be caught in moving parts. Rubber gloves and non-slip footwear are recommended when working outdoors. If you have long hair, wear a protective hair covering.

## RULES FOR SAFE OPERATION

12. **ALWAYS USE SAFETY ACCESSORIES.** Safety glasses and earmuffs should always be worn. Everyday eyeglasses have impact resistant lenses only, they are not safety glasses. A face or dust mask is also required if dust is going to be created.
13. **DON'T OVERREACH.** Keep proper footing and balance at all times. Do not use tool on a ladder or unstable support. Secure tools when working at elevated levels.
14. **SECURE YOUR WORK.** Use clamps or a vice to hold your work. It is safer than using your hands and it frees both hands to operate the tool.
15. **MAINTAIN TOOLS WITH CARE.** Keep tools sharp and clean for better and safer performance. Follow instructions for lubricating and changing accessories. Inspect tool cords periodically and, if damaged have them repaired by an authorised service facility. Inspect extension cords periodically and replace them if damaged. Keep tool handles dry, clean and free from oil and grease. Never use brake fluids, gasoline, petroleum based products, or any strong solvents to clean your tools.
16. **REMOVE ADJUSTING KEYS AND WRENCHES.** Check to see that keys and adjusting wrenches are removed from the tool before switching it on.
17. **CONNECT DUST EXTRACTION EQUIPMENT.** If devices are provided for the connection of dust extraction and collection facilities, ensure these are connected and properly used.
18. **CHECK DAMAGED PARTS.** Before using a tool, check that there are no damaged parts. If a part is damaged, carefully determine if it will operate properly and perform its intended function. Check for alignment of moving parts, binding of moving parts, breakage of parts, proper mounting and any other conditions that may affect the operation of the tool. A part that is damaged should be properly repaired or replaced by an authorised service centre, unless otherwise indicated in this *Owner's Operating Manual*. Defective switches must be replaced by an authorised service centre. Do not use a tool if the switch does not turn the tool on and off correctly.
19. **USE ONLY APPROVED PARTS.** When servicing, use only identical replacement parts. Use an authorised service centre to fit replacement parts.
20. **DO NOT ABUSE THE CORD.** Never carry the tool by its cord or yank it to disconnect it from the socket. Keep the cord away from heat, oil and sharp edges.
21. **OUTDOOR USE EXTENSION CORDS.** When the tool is used outdoors, use only extension cords intended for use outdoor and so marked.
22. **STAY ALERT AND EXERCISE CONTROL.** Watch what you are doing and use common sense. Do not operate a tool when you are tired. Do not rush.
23. **DO NOT OPERATE THIS TOOL WHILE UNDER THE INFLUENCE OF DRUGS, ALCOHOL OR ANY MEDICATION.**



### WARNING:

If using an extension lead, ensure that the male and female plug connection is elevated and out of the way of any water contact.

## SPECIFIC SAFETY RULES FOR MINI TOOL

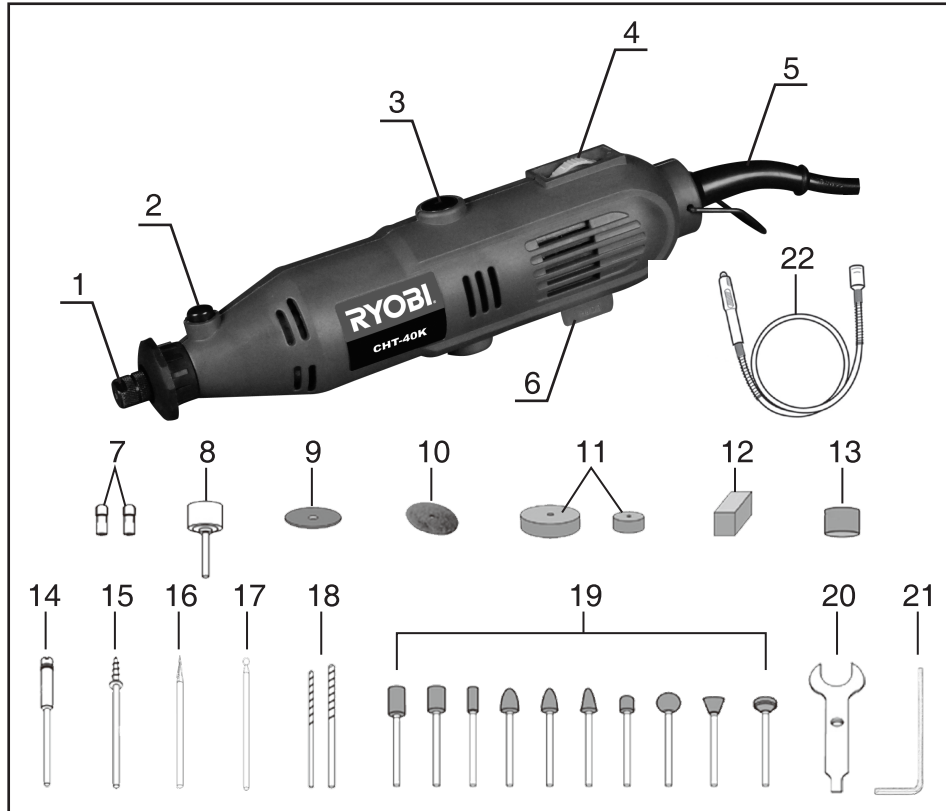
1. Inspect the grinder wheel before use. Do not use chipped, cracked or other defective products.
2. Check that the work piece is properly supported.
3. Do not use cut off wheel for side grinding.
4. Do not use tools with bent shafts.
5. Ensure that sparks resulting from use do not create a hazard e.g. do not hit persons, or ignite flammable substances.
6. Ensure that ventilation openings are kept clear when working in dusty conditions. If it should become necessary to clear dust, first disconnect the tool from the mains supply (use non metallic objects) and avoid damaging internal parts.
7. Always check walls to avoid hidden power cables and pipes in internal walls. A metal detector can be obtained from any good DIY store for this purpose.
8. The tool is designed for light and intricate work do not use for heavy work as you may damage the tool.
9. Check the collet nut frequently for tightness, especially if using the tool at very high speed.
10. Use only the accessories supplied or recommended by your dealer, other accessories may risk personal injury.
11. Use correct speed.
12. Always wear eye protection with this tool.

### Warning!



Harmful/toxic dusts will arise from sanding e.g. Lead painted surfaces, woods and metals. Contact with or inhalation of these dusts can endanger the health of operator and bystanders.

## DESCRIPTION



- |                                       |                   |
|---------------------------------------|-------------------|
| 1. Collet nut + collet(fitted)        | 4. Speed selector |
| 2. Spindle lock button                | 5. Power cord     |
| 3. Carbon brush holder(on both sides) | 6. ON/OFF switch  |

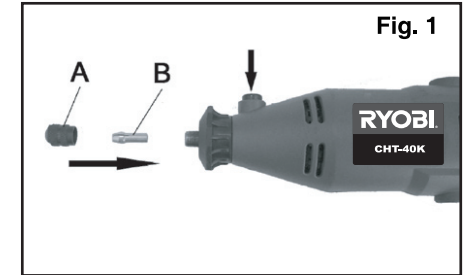
## STANDARD ACCESSORIES

- |  |  |
|--|--|
| 7. Collets (3.2mm, 2.2mm)              | 16. Cone head diamond grinding point (shank 3.1mm) |
| 8. Sanding rubber (shank 3.1mm)        | 17. Ball diamond grinding point (shank 3.1mm)      |
| 9. Cutting disc x 8                    | 18. Hss drill bit (3mm, 2.1mm)                     |
| 10. Sanding paper x 6                  | 19. Grinding point (shank 2.95mm)                  |
| 11. Wool polishing wheel x 2           | 20. Spanner  |
| 12. Grinding stone                     | 21. Shaft lock spanner                             |
| 13. Sanding sleeve x 4                 | 22. Flexible shaft                                 |
| 14. Cutting disc fixture (shank 3.1mm) |  |
| 15. Screw drill (shank 3.1mm)          |  |

## ASSEMBLY

### CHANGE THE COLLET (Fig. 1)

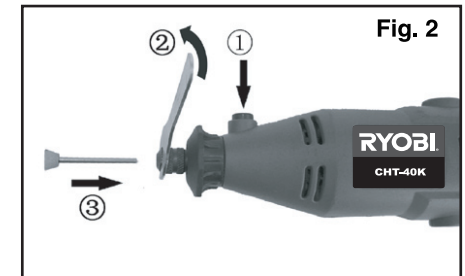
- Two size of collets are provided to accommodate the different accessories shank sizes. When using an accessory with a smaller or larger shaft, you will need to change the collet which matches the shank size of the accessory as follows.
- Press the spindle lock button. Loosen the collet nut (A) with the spanner provided. Remove the collet nut (A) and then fully insert the appropriate size collet (B) into the spindle. Reinstall the collet nut (A) by finger tight. Do not overtighten the nut when there is no accessory in the collet.



**Note:** Always use the collet which matches the shank size of the accessory you plan to use. Do not force a larger diameter shank into a smaller collet.

### FITTING AN ACCESSORY (Fig. 2)

- Press the spindle lock button. Hold down and rotate the spindle by hand until the spindle lock engages with the spindle. Loosen the collet nut anticlockwise using the spanner if necessary.
- Fully insert the tool shank into the collet. Tighten the collet nut with the spanner but do not overtighten. Finally release the spindle lock button.

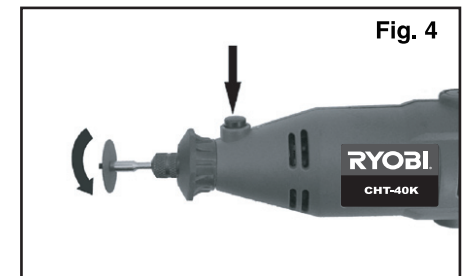


### Warning!

**!** Do not engage the spindle lock button while the tool is running.

### FITTING A CUTTING/SANDING WHEEL (Fig. 3, 4)

- First fit the mandrel into the collet.
- Loosen the small screw on the mandrel with spanner.
- Insert the screw through the wheel and then screw into the mandrel. Do not overtighten otherwise the wheel may crack.

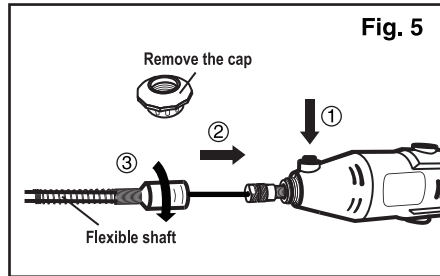




## ASSEMBLY

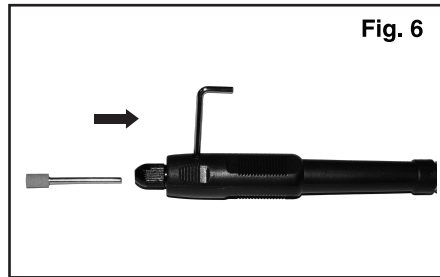
### TO ASSEMBLE THE FLEXIBLE SHAFT (Fig. 5)

1. Remove the cap from the rotary tool and pull out the main spindle out from the flexible shaft.
2. Press the spindle lock button. Hold down and rotate the spindle by hand until the spindle lock engages with the spindle. Fully insert the main spindle into the collet. Tighten the collet nut with the spanner but do not overtighten.
3. Release the spindle lock button, fit the socket of the flexible shaft, to the head of the rotary tool securely.



### FITTING ACCESSORIES TO FLEXIBLE SHAFT (Fig. 6)

1. Align two holes on the neck of flexible shaft. Insert in the shaft lock spanner.
2. Loosen the collet nut anti-clockwise using the spanner if necessary.
3. Fully insert the tool shank into the collet. Tighten the collet nut with the spanner but do not overtighten. Finally remove the shaft lock spanner.



## OPERATION

### SWITCH ON / OFF (Fig. 7, 8)

**Note:** This tool has been set to the slowest speed before switching on.

1. To start the tool, push the on/off switch forward and then to the right. The switch will be locked on the "ON" position. (Fig. 7)



2. To stop, pull the switch to the left and the switch will return to "OFF" position automatically. (Fig. 8)

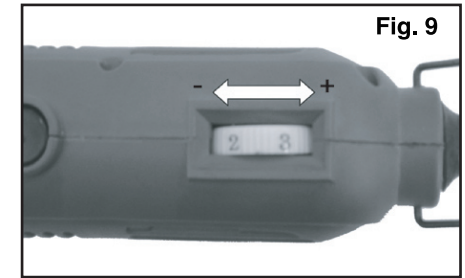


## OPERATION

### SPEED ADJUSTMENT (Fig. 9)

1. To achieve the best result when working with different materials, you can adjust the tool speed. It is adjustable from 0 to 30000 r/min.
2. The tool has a variable speed control for precise speed adjustment. Set it to the required speed for operation.

**Note:** Select a low speed when working with wood, plastics and polishing. Generally, select higher speed for small tools while lower speed for larger tools. From number "1" to "6", the speed is corresponding from 0 to 30000 r/min.



### DRILLING OPERATION

Turn the tool on until full speed. Apply the tool to the workpiece gently. To obtain a good finish, move the tool in the leftward direction slowly.

**Note:** Apply light pressure on the tool. Excessive pressure will only cause a poor finish and overloading of the motor.

### HOLDING THE TOOL

For milling or engraving, hold the tool like a pen. Take care not to cover the ventilation slots.

**Note:** The tool will get warm during normal operation. Observe the rated operating time.

### USING ACCESSORIES

The chart below lists the description, use speed and scope for some of the small articles supplied together with the tool by category. To achieve best performance of the tool, it is strongly recommended that you read it prior to operation, failure to adhere to this may cause accessories to fail.

**Note:** Always wear eye protection. Insert the shaft FULLY into the collet. Use ONLY up to the speeds stated below.

| PICTURE | DESCRIPTION   | SPEED                  | FOR USE ON:  |
|---------|---|------------------------|--|
|         | <b>Grinder Bits</b><br>Various head styles, on shafts   | Full speed<br>30000rpm | Metal / Mild steel                                     |
|         | <b>Diamond Bits</b><br>Various head styles  | Full speed<br>30000rpm | Wood / Zinc<br>Plastic / Nickel<br>Copper / Mild steel |
|         | <b>Wool polishing wheel</b><br>Mounted to screw drill   | Half speed<br>15000rpm | Metal / Mild steel                                     |
|         | <b>Sanding / Cutting disc</b><br>Mounted to cutting disc fixture<br><b>Note:</b> DO NOT over tighten screw  | Half speed<br>15000rpm | Metal<br>Mild steel / Wood                             |
|         | <b>Sanding sleeve</b><br>Mounted to hold for rubber wheel   | Full speed<br>30000rpm | Metal / Mild steel                                     |
|         | <b>Note:</b> To fit the sanding roll, firstly loosen the small screw on top of the hole for rubber wheel, this will allow the rubber to relax. Slide the sanding roll onto the holder. To secure, simply tighten the screw and the rubber roll will swell, gripping the sanding drum. |                        |  |

## MAINTENANCE

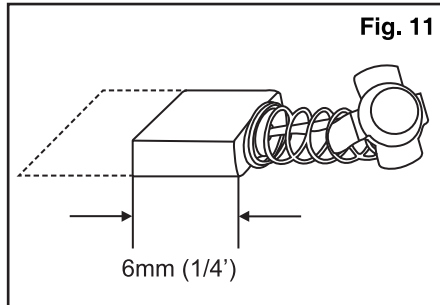
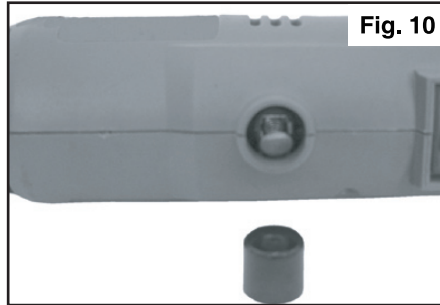
**Warning!** Remove the plug from the socket before carrying out any adjustment, servicing or maintenance.

### REPLACING THE CARBON BRUSHES (Fig. 10, 11)

1. The carbon brushes must be checked on a regular basis. There are two brushes in the tool and they must be replaced in pairs.
2. Remove the carbon brush holders with the spanner and check the brushes. If the length of brush is less than 6mm, replace both brushes. Have the machine run at no load for 15 minutes.

**Note:** Use only the correct type of carbon brushes.

**Caution:** Using the tool with worn brushes will permanently damage the motor.



There are no user serviceable parts in your power tool. Never use water or chemical cleaners to clean your power tool. Wipe clean with a dry cloth. Always store your power tool in a dry place. Keep the motor ventilation slots clean. Keep all working controls free of dust. Occasionally you may see sparks through the ventilation slots. This is normal and will not damage your power tool.

If the supply cord is damaged, it must be replaced by the manufacturer, its service agent or similarly qualified persons in order to avoid a hazard.

## TROUBLESHOOTING

1. If your power tool does not start, check the plug on the mains supply first.
2. If your power tool use in low efficiency, check the tool speed and type of accessory.
3. If a fault can not be rectified, return the tool to an authorized dealer for repair.