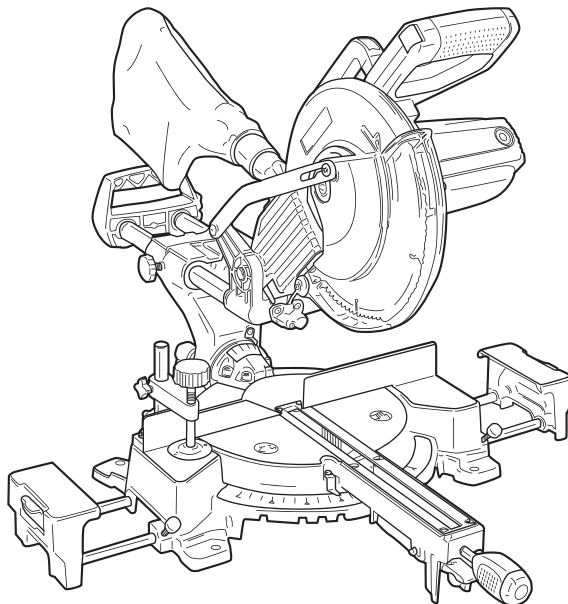


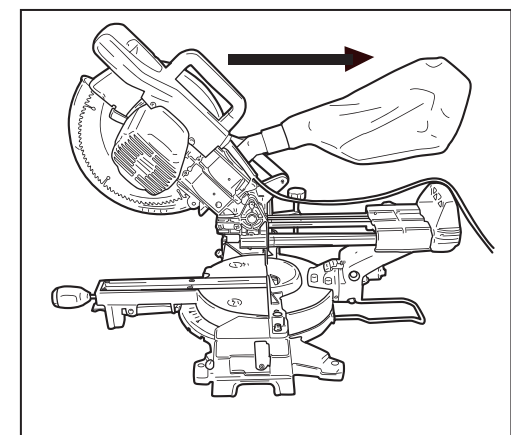
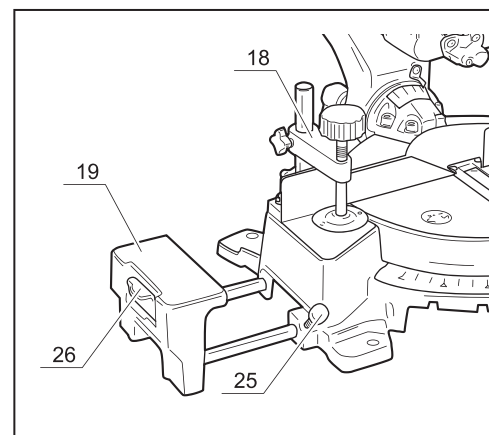
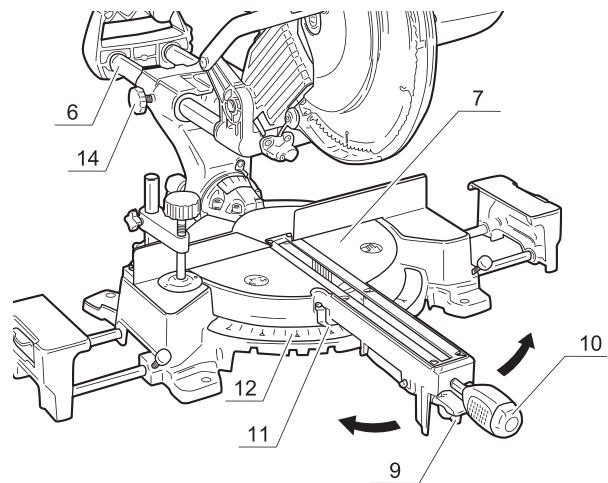
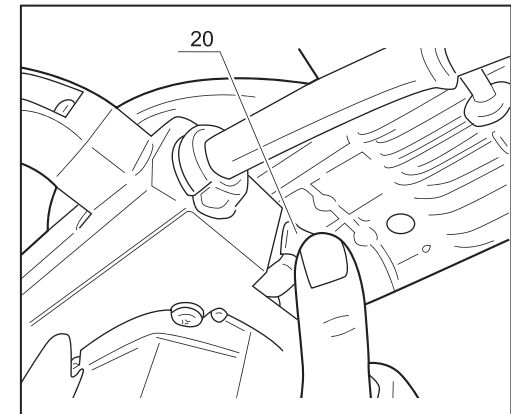
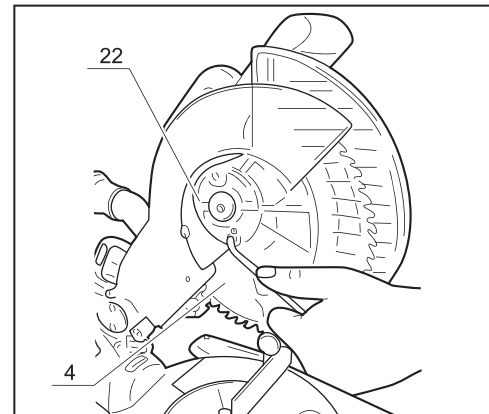
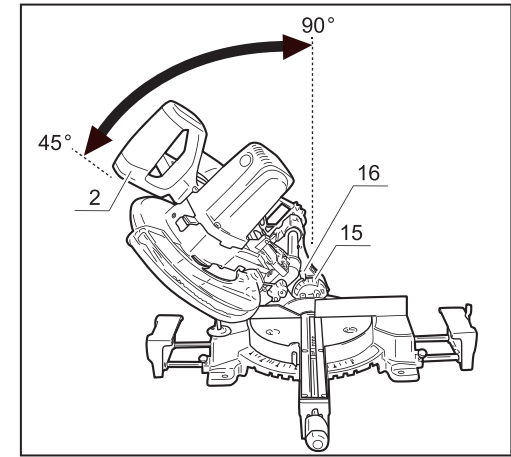
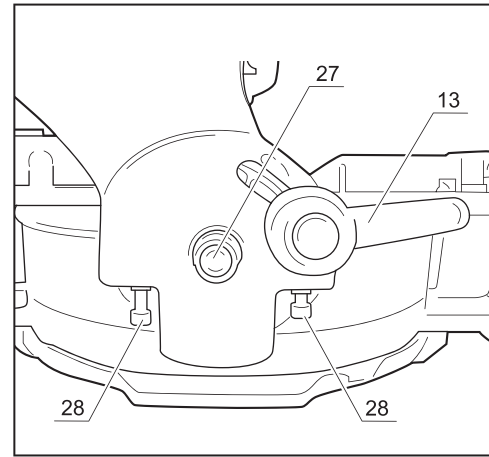
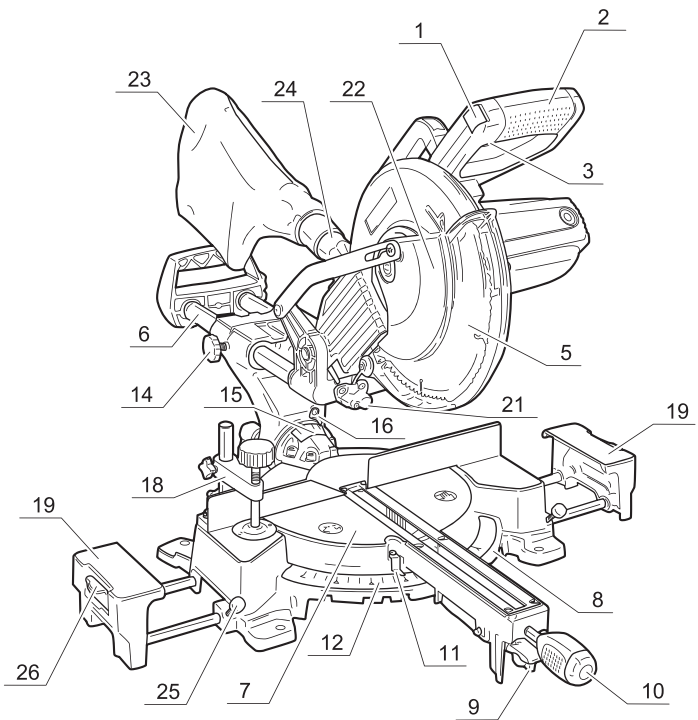
# RYOBI®

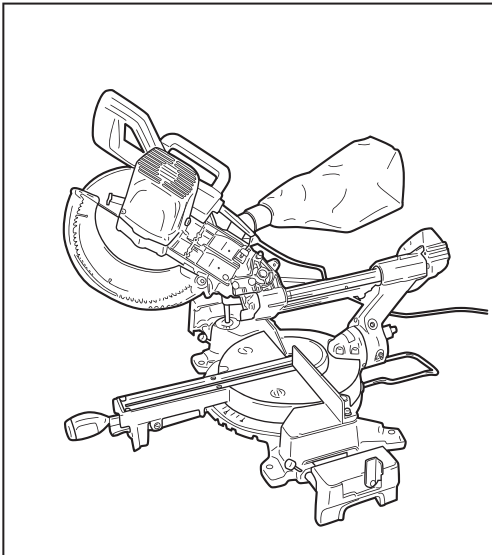
## CSS-210, CSS-1800

GB OWNER'S OPERATING MANUAL

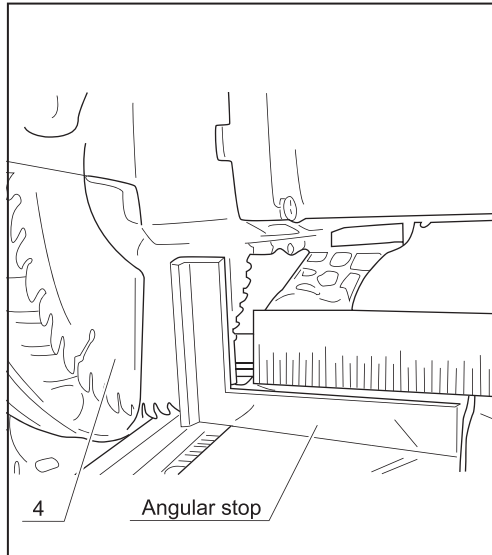


CE

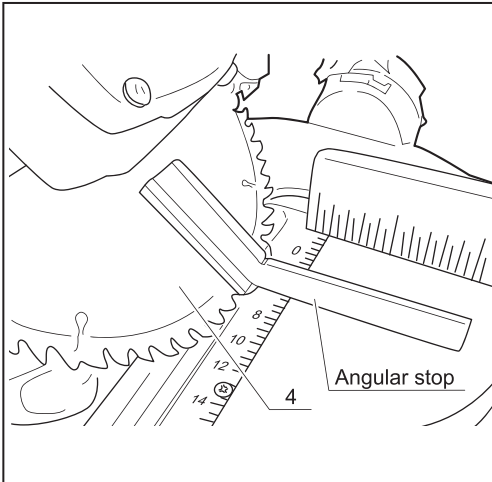




8



9



10

**THANK YOU FOR BUYING A RYOBI PRODUCT.**  
To ensure your safety and satisfaction, carefully read through this OWNER'S MANUAL before using the product.

**General Safety Rules**

**WARNING!** Read all instructions. Failure to follow all instructions listed below may result in electric shock, fire and/or serious injury. The term "power tool" in all of the warnings listed below refers to your mains-operated (corded) power tool or battery-operated (cordless) power tool.

**SAVE THESE INSTRUCTIONS**

**1) Work area**

- a) **Keep work area clean and well lit.** Cluttered and dark areas invite accidents.
- b) **Do not operate power tools in explosive atmospheres, such as in the presence of flammable liquids, gases or dust.** Power tools create sparks which may ignite the dust or fumes.
- c) **Keep children and bystanders away while operating a power tool.** Distractions can cause you to lose control.

**2) Electrical safety**

- a) **Power tool plugs must match the outlet. Never modify the plug in any way. Do not use any adapter plugs with earthed (grounded) power tools.** Unmodified plugs and matching outlets will reduce risk of electric shock
- b) **Avoid body contact with earthed or grounded surfaces such as pipes, radiators, ranges and refrigerators.** There is an increased risk of electric shock if your body is earthed or grounded.
- c) **Do not expose power tools to rain or wet conditions.** Water entering a power tool will increase the risk of electric shock.
- d) **Do not abuse the cord. Never use the cord for carrying, pulling or unplugging the power tool. Keep cord away from heat, oil, sharp edges or moving parts.** Damaged or entangled cords increase the risk of electric shock.
- e) **When operating a power tool outdoors, use an extension cord suitable for outdoor use.** Use of a cord suitable for outdoor use reduces the risk of electric shock.

**3) Personal safety**

- a) **Stay alert, watch what you are doing and use common sense when operating a power tool. Do not use a power tool while you are tired or under the influence of drugs, alcohol or medication.** A moment of inattention while operating power tools may result in serious personal injury.
- b) **Use safety equipment. Always wear eye protection.** Safety equipment such as dust mask, non-skid safety shoes, hard hat, or hearing protection used for appropriate conditions will reduce personal injuries.
- c) **Avoid accidental starting. Ensure the switch is in the off-position before plugging in.** Carrying power tools with your finger on the switch or plugging in power tools that have the switch on invites accidents.
- d) **Remove any adjusting key or wrench before turning the power tool on.** A wrench or a key left attached to a rotating part of the power tool may result in personal injury.
- e) **Do not overreach. Keep proper footing and balance at all times.** This enables better control of the power tool in unexpected situations.
- f) **Dress properly. Do not wear loose clothing or jewellery. Keep your hair, clothing and gloves away from moving parts.** Loose clothes, jewellery or long hair can be caught in moving parts.

- g) **If devices are provided for the connection of dust extraction and collection facilities, ensure these are connected and properly used.** Use of these devices can reduce dust-related hazards.

**4) Power tool use and care**

- a) **Do not force the power tool. Use the correct power tool for your application.** The correct power tool will do the job better and safer at the rate for which it was designed.
- b) **Do not use the power tool if the switch does not turn it on and off.** Any power tool that cannot be controlled with the switch is dangerous and must be repaired.
- c) **Disconnect the plug from the power source and/or the battery pack from the power tool before making any adjustments, changing accessories, or storing power tools.** Such preventive safety measures reduce the risk of starting the power tool accidentally.
- d) **Store idle power tools out of the reach of children and do not allow persons unfamiliar with the power tool or these instructions to operate the power tool.** Power tools are dangerous in the hands of untrained users.
- e) **Maintain power tools. Check for misalignment or binding of moving parts, breakage of parts and any other condition that may affect the power tools operation. If damaged, have the power tool repaired before use.** Many accidents are caused by poorly maintained power tools.
- f) **Keep cutting tools sharp and clean.** Properly maintained cutting tools with sharp cutting edges are less likely to bind and are easier to control.
- g) **Use the power tool, accessories and tool bits etc., in accordance with these instructions and in the manner intended for the particular type of power tool, taking into account the working conditions and the work to be performed.** Use of the power tool for operations different from those intended could result in a hazardous situation.

**5) Battery tool use and care**

- a) **Ensure the switch is in the off position before inserting battery pack.** Inserting the battery pack into power tools that have the switch on invites accidents.
- b) **Recharge only with the charger specified by the manufacturer.** A charger that is suitable for one type of battery pack may create a risk of fire when used with another battery pack.
- c) **Use power tools only with specifically designated battery packs.** Use of any other battery packs may create a risk of injury and fire.
- d) **When battery pack is not in use, keep it away from other metal objects like paper clips, keys, nails, screws, or other metal objects that can make a connection from one terminal to another.** Shorting the battery terminals together may cause burns or a fire.
- e) **Under abusive conditions, liquid may be ejected from the battery; avoid contact. If contact accidentally occurs, flush with water. If liquid contacts eyes, additionally seek medical help.** Liquid ejected from the battery may cause irritation or burns.

**6) Service**

- a) **Have your power tool serviced by a qualified repair person using only identical replacement parts.** This will ensure that the safety of the power tool is maintained.

**ADDITIONAL SAFETY INSTRUCTIONS FOR SLIDING COMPOUND MITRE SAW**

- 1) Wear eye protection.
- 2) Keep hands out of path of saw blade. Avoid contact with any coasting blade. It can still cause severe injury.
- 3) Do not operate saw without guards in place. Check blade guard for proper closing before each use. Do not operate saw if blade guard does not move freely and close instantly. Never clamp or tie the blade guard in the open position
- 4) Do not perform any operation freehand. The workpiece must be secured firmly against the turn base and guide fence with the vise during all operations. Never use your hand to secure the workpiece.
- 5) Never reach around the saw blade.
- 6) Turn off tool and wait for saw blade to stop before moving workpiece or changing settings.
- 7) Unplug tool before changing blade or servicing.
- 8) Always secure all moving portions before carrying the tool.
- 9) Stopper pin which locks the cutter head down is for carrying and storage purposes only and not for any cutting operations.
- 10) Do not use the tool in the presence of flammable liquids or gases.
- 11) Check the blade carefully for cracks or damage before operation. Replace cracked or damaged blades immediately.
- 12) Use only flanges specified for this tool.
- 13) Be careful not to damage the arbor, flanges (especially the installing surface) or bolt. Damage to these parts could result in blade breakage.
- 14) Make sure that the turn base is properly secured so it will not move during operation.
- 15) For your safety, remove the chips, small pieces, etc. from the tabletop before operation.
- 16) To avoid cutting nails, inspect workpiece and remove all nails from the before operation.
- 17) Make sure the shaft lock is released before the switch is turned on.
- 18) Make sure that the blade does not contact the turn base in the lowest position.
- 19) Hold the handle firmly. Be aware that the saw moves up or down slightly during start-up and stopping.
- 20) Make sure the blade is not contacting the workpiece before the switch is turned on.
- 21) Before using the tool on an actual workpiece, let it run for a while. Watch for vibration or wobbling that could indicate poor installation or a poorly balanced blade.
- 22) Wait until the blade attains full speed before cutting.
- 23) Stop operation immediately if you notice anything abnormal.
- 24) Do not attempt to lock the trigger in the on position.
- 25) Be alert at all times, especially during repetitive, monotonous operations. Do not be lulled into a false sense of security. Blades are extremely unforgiving.
- 26) Always use accessories recommended in this manual. Use of improper accessories such as abrasive wheels may cause an injury.
- 27) Do not use the saw to cut anything other than wood.
- 28) Connect mitre saws to a dust collecting device when sawing.
- 29) Take care when slotting.
- 30) Replace the kerf board when worn.
- 31) Do not use saw blades manufactured from high speed steel.
- 32) Some dust created from operation contains chemicals known to cause cancer, birth defects or other reproductive

- harm. Some examples of these chemicals are:
- Lead from lead-based-painted material and;
  - Arsenic and chromium from chemically-treated lumber.
- Your risk from these exposures varies, depending on how often you do this type of work. To reduce your exposure to these chemicals: work in a well ventilated area and work with approved safety equipment, such as dust masks that are specially designed to filter out microscopic particles.
- 33) To reduce the emitted noise, always be sure that the blade is sharp and clean.
  - 34) The operator is adequately trained in the use, adjustment and operation of the machine.
  - 35) Use correctly sharpened saw blades. Observe the maximum speed marked on the saw blade.
  - 36) Refrain from removing any cut-offs or other parts of the workpiece from the cutting area while the tool is running and the saw head is not in the rest position.
  - 37) Wear gloves for handling saw blades (saw blades shall be carried in a holder wherever practicable) and rough material.
  - 38) Do not replace laser with one of a different type.
  - 39) Use the ear protection during cutting to avoid listening injury.

**DESCRIPTION**

1. Safety switch
2. Handle
3. Switch trigger
4. Saw blade
5. Lower guard
6. Track arm
7. Turn table
8. Base plate
9. Turn table lock release lever
10. Grip for turning table
11. Miter angle pointer
12. Miter angle scale
13. Saw head tilt lock lever
14. Track arm lock knob
15. Tilt angle scale
16. Tilt angle pointer
17. Saw head stopper pin
18. Vise clamp
19. Side extension block
20. Spindle lock
21. Laser guide
22. Center cover
23. Dust bag
24. Dust extraction adapter
25. Side extension block fixing knob
26. Stock stop
27. Counter nut
28. Bevel angle adjustment bolt

**SPECIFICATIONS**

|                        | <b>CSS-210</b>         | <b>CSS-1800</b>        |
|------------------------|------------------------|------------------------|
| Voltage.....           | 230v, 50Hz             | 230v, 50Hz             |
| Power input.....       | 1800W                  | 1800W                  |
| No load speed.....     | 4,600min <sup>-1</sup> | 4,800min <sup>-1</sup> |
| Blade size.....        | 210mm                  | 255mm                  |
| Max cutting capacities |                        |                        |
| at 90° x 90°.....      | 65mm x 260mm           | 75mm x 305mm           |
| at 90° x 45°.....      | 5mm x 260mm            | 45mm x 305mm           |
| at 45° x 90°.....      | 65mm x 170mm           | 75mm x 210mm           |
| at 45° x 45°.....      | 35mm x 170mm           | 45mm x 210mm           |
| Net weight .....       | 14.5kg                 | 15.5kg                 |

**STANDARD ACCESSORIES**

Dust bag, Wrench

**PREPARATION**

**WARNING:**

- To prevent accidental starting that could cause possible serious personal injury, assemble all parts to your saw before connecting it to power supply. The saw should never be connected to the power supply when you are assembling parts, making adjustments, installing or removing blades, or when not in use.
- If any parts are missing, do not operate this tool until the missing parts are replaced. Failure to do so could result in possible serious personal injury.

**ADJUSTING THE TURN TABLE (Fig. 1)**

1. Pull up the turn table lock release lever (9) to make the turn table (7) free.
2. Turn the turn table to the desired angle. There are positive stops at 0°, 15°, 22.5°, 30° and 45° to the left and right. While the table is being rotated, the table will stop at the next positive stop.
3. When you have moved the grip for turning table (10) to the position where the miter angle pointer (11) points to the desired angle on the mitre angle scale (12), release the turn table lock release lever.

**CAUTION:**

- **When turning the turn base, be sure to raise the handle fully.**
- **After changing the mitre angle, always secure the turn base by tightening the grip firmly.**

**ADJUSTING THE BEVEL ANGLE (Fig. 2, 3)**

1. When tilting the carriage to the left, loosen the saw head tilt lock lever (13) counterclockwise. Unlock the arm by pushing the handle (2) somewhat strongly in the direction that you intend to tilt the saw blade.
2. Tilt the saw blade until the bevel angle pointer (16) points to the desired angle on the bevel scale (15). Then tighten the saw head tilt lock lever clockwise firmly to secure the arm.

**WARNING:**

- **When tilting the saw blade, be sure to raise the handle fully.**
- **After changing the bevel angle, always secure the saw head by tightening the saw head tilt lock lever clockwise.**

**SLIDE LOCK ADJUSTMENT (Fig. 1)**

To unlock and lock the track arm (6), turn the track arm lock knob (14) counterclockwise or clockwise.

**SWITCH ACTION**

**CAUTION: Before plugging in the tool, always check to see that the switch trigger actuates properly and returns to the "OFF" position when released**

To start the tool, while pressing the safety switch (1) pull the switch trigger (3). Release the switch trigger to stop.

**WARNING: NEVER use tool without a fully operative switch trigger. Any tool with an inoperative switch is HIGHLY DANGEROUS and must be repaired before further usage.**

**LASER GUIDE**

This tool is equipped with a Laser guide, which is a battery powered laser cutting guide.

The laser guide allows the operator to anticipate the path of the saw blade on the workpiece before beginning cutting.

Before using the laser guide, install 2 x AAA battery into the battery compartment.

To turn on the laser beam, press the (I) of the switch. Press the (O) to turn off.

**WARNING: The laser beam is emitted when the laser line is turned on. Do not stare into the beam or view it directly using optical instruments. Do not remove the warning label that is affixed to the laser cover. Avoid aiming the laser beam directly into the eyes.**

**CAUTION:**

- **Use of controls or adjustments or performance of procedures other than those specified herein may result in hazardous radiation exposure.**
- **The use of optical instruments with this product will increase eye hazard.**
- **Do not stare into the beam or view it directly using optical instruments.**
- **Maximum output: <1mW Wavelength: 650nm**

**Protection Class: II**

Before shifting the laser line or performing maintenance adjustment, be sure to unplug the tool.

Laser line is factory adjusted so that it is positioned 1 mm from the side surface of the blade (cutting position).

**CLEANING THE LENS FOR THE LASER GUIDE**

If the lens for the laser light becomes dirty, or sawdust adheres to it in such a way that the laser line is no longer easily visible, unplug the saw and clean the lens for the laser light carefully with a damp, soft cloth.

Do not use solvents or any petroleum-based cleaners on the lens.

**NOTE:**

- When laser line is a dim and almost or entirely invisible because of the direct sunlight in the indoor or outdoor window near your work area, relocate the work area to a place not exposed to direct sunlight.
- All of the adjustments for the operation of this machine have been carried out at the factory.

**CAUTION:**

- Use of controls or adjustments or performance of procedures other than those specified herein may result in hazardous radiation exposure.
- The use of optical instruments with this product will increase eye hazard.
- Do not attempt to repair or disassemble the laser. If unqualified persons attempt to repair this laser product, serious injury may result. Any repair required on this laser product should be performed by authorized service center personnel.

**INSTALLING OR REMOVING SAW BLADE**

**CAUTION: Always be sure that the tool is switched off and unplugged before installing or removing the blade.**

Use only the wrench provided to install or remove the blade. Failure to do so may result in overtightening or insufficient tightening of the screw. This could cause an injury.

**REMOVING SAW BLADE (Fig. 4, 5)**

1. Use cross screwdriver to loosen the screw holding the center cover (22) by turning it counterclockwise and loosen the screw counterclockwise, but don't remove it.
2. Turn the center cover counterclockwise and raise the blade guard. Press the spindle lock (20) to lock the spindle and use the wrench to loosen the screw clockwise. Then remove the screw, outer flange and blade.



**NOTE:** When inner flange is removed mistakenly, be sure to install it on the spindle with its flat surface facing the motor.

**INSTALLING BLADE**

1. Mount it carefully onto the spindle, making sure that the direction of the arrow on the surface of the blade matches the direction of the arrow on the blade case.
2. Install the outer flange and screw, and then use the wrench to tighten the screw securely counterclockwise while pressing the shaft lock.

**DUST BAG**

To attach the dust bag (23), fit it onto the dust extraction adapter (24).

When the dust bag is about half full, remove the dust bag from the tool and empty it.

**NOTE:** If you connect a vacuum cleaner to your saw, more efficient and cleaner operations can be performed.

**SECURING WORKPIECE**

**WARNING:** It is extremely important to always secure the workpiece properly and tightly using a vise. Failure to do so can cause the tool to be damaged and /or the workpiece to be destroyed. **PERSONAL INJURY MAY ALSO RESULT.** After a cutting operation **DO NOT** raise the blade until the blade has come to a complete stop.

When cutting a long workpiece, use supports that are as high as the top surface level of the turn table.

**CAUTION:** Do not rely solely on the vertical vise to secure the work piece. Thin material tends to sag. Support workpiece over its entire length to avoid blade pinch and possible kickback.

**VICE CLAMP (Fig. 6)**

The vise clamp (18) can be installed on either left or right side of the guide fence. Insert the vise rod into the hole in the guide fence.

1. Position the vice arm according to the thickness and shape of the work piece and secure the vise arm by tightening the screw. If the vise arm contacts the guide fence or sub-fence, adjust the vise arm to the upper position.
2. Make sure that no part of the tool contacts the vise when lowering the handle fully and pulling or pushing the carriage all the way. If some part contacts the vise, re-position the vise.
3. Press the workpiece flat against the guide fence and the turn base. Position the workpiece at the desired cutting position and secure it firmly by tightening the vise knob.

**CAUTION:** The workpiece must be secured firmly against the turn base and guide fence with the vise during all operations.

**SIDE EXTENTION BLOCK (Fig. 6)**

Loosen the side extension block fixing knob (25), and slide the left extension block (19) to the desired table width and stop the extension table by locking the knobs.

Slide the right extension table by the same amount as above.

**STOCK STOP (Fig. 6)**

When you want to cut the workpiece as same length size constantly, you can use the stock stop device to guarantee it. Make sure the stock stop (26) on the left and right extension table can be swung up as the illustrated.

**CAUTION:** Before use, be sure to release the handle from the lowered position by pulling the stopper pin. Make sure the blade is not contacting the workpiece before the switch is turned on. Do not apply excessive pressure on the handle

when cutting. Too much force may result in the motor overloading and/or decreased cutting efficiency. Push down handle with only as much force as it necessary for smooth cutting, without a significant decrease in blade speed. Gently press down the handle to perform the cut. If the handle is pressed down with force or if lateral force is applied, the blade will vibrate and leave mark (saw mark) in the workpiece and the precision of the cut will be impaired.

**OPERATION**

**PRESS CUTTING (CUTTING SMALL WORKPIECES )**

For workpieces up to 60mm high and 60 mm wide

1. Push the carriage toward the guide fence fully and tighten the track arm lock knob (14) clockwise to secure the carriage, and secure the workpiece with the vise.
2. Switch on the tool without the blade making any contact and wait until the blade attains full speed before lowering. Then gently lower the handle to the fully lowered position to cut the workpiece.
3. When the cut is completed, switch off the tool and WAIT UNTIL THE BLADE HAS COME TO A COMPLETE STOP before returning the blade to its fully elevated position.

**CAUTION:** Firmly tighten the locking screw clockwise so that the carriage will not move during operation. Insufficient tightening may cause unexpected kickback of the blade. Possible **SERIOUS PERSONAL INJURY** may result.

**SLIDE CUTTING (Fig. 7)**

For cutting wide workpieces

1. Loosen the track arm lock knob counterclockwise so that the carriage can slide freely, and secure the workpiece with the vise.
2. Pull the carriage toward you fully. Switch on the tool without the blade making any contact and wait until the blade get up to full speed.
3. Press down the handle and PUSH THE CARRIAGE TOWARD THE GUIDE FENCE AND THROUGH THE WORKPIECE.
4. When the cut is completed, switch off the tool and WAIT UNTIL THE BLADE HAS COME TO A COMPLETE STOP before returning the blade to its fully elevated position

**CAUTION:** When performing a slide cut, PULL THE CARRIAGE TOWARD YOU FULLY and press down the handle to the fully lowered position, then PUSH THE CARRIAGE TOWARD THE GUIDE FENCE. NEVER START THE CUT WITH THE CARRIAGE NOT FULLY PULLED slide cut towards you, the blade may kickback unexpectedly with the potential to cause **SERIOUS PERSONAL INJURY**.

Never perform the slide cut with the handle locked in the lowered position by pressing the stopper pin.

**MITRE CUTTING**

Loosen the grip by turning counterclockwise. When you have moved the grip to the position where the mitre angle pointer points to the desired angle on the mitre scale, securely tighten the grip clockwise.

**CAUTION:** When turning the turn base, be sure to raise the handle fully. After changing the mitre angle, always secure the turn base by tightening the grip firmly.

**BEVEL CUTTING (Fig. 8)**

Loosen the saw head tilt lock lever and tilt the saw blade to set the bevel angle (refer to the previously covered "adjusting the bevel angle"). Be sure to retighten the saw head tilt lock lever firmly to secure the selected bevel angle safely. Secure the

workpiece with a vise. Make sure the carriage is pulled all the way back toward the operator fully. Switch on the tool without the blade making any contact and wait until the blade attains full speed. Then gently lower the handle to the fully lowered position while applying pressure in parallel with the blade and PUSH THE CARRIAGE TOWARD THE GUIDE FENCE TO CUT THE WORKPIECE. When the cut is completed, switch off the tool and WAIT UNTIL THE BLADE HAS COME TO A COMPLETES STOP before returning the blade to its fully elevated position.

**CAUTION:** Always be sure that the blade will move down to bevel direction during a bevel cut. Keep your hands out of path of the saw blade. During a bevel cut, it may create a condition whereby the piece cut off will come to rest against the side of the blade. If the blade is raised while the blade is still rotating, this piece may be caught by the blade, causing fragments to be scattered, which is dangerous. the blade should be raised ONLY after the blade has come to a complete stop.

When pressing down the handle, apply pressure in parallel with the blade. If a force is applied perpendicularly to the turn base or if the pressure direction is changed during a cut, the precision of the cut will be diminished.

**COMPOUND CUTTING**

Compound cutting is the process in which a bevel angle is made at the same time in which a mitre angle is being cut on a workpiece.

Compound cutting can be performed at the angles as below.

- Mitre angle: Left and Right 0° ~ 45°
- Bevel angle: Left 0° ~ 45°

When performing compound cutting, refer to the "Press cutting", "Slide cutting", "Mitre cutting" and "Bevel cutting" sections.

**CARRYING THE TOOL**

Make sure that the tool is unplugged. Secure the blade at the 0°bevel angle and turn base to the right mire angle fully. Lower the handle fully and lock it in the lowered position by pushing in the stopper pin. Carry the tool by holding the base as shown in the figure. If you remove the vise, dust bag, etc., you can carry the tool more easily.

Carry the tool by one hand holding the carrying handle and the other hand holding tool base.

**CAUTION:** Always secure all moving portions before carrying the tool.

Stopper pin is for carrying and storage purposes only and not for any cutting operations.

**MAINTENANCE**

**CAUTION:** Always be sure that the tool is switched off and unplugged before attempting to perform inspection or maintenance.

**WARNING:** Always be sure that the blade is sharp and clean for the best and safest performance.

**NOTICE:** Never use gasoline, benzene, thinner, alcohol, or similar substances. Discoloration, deformation or cracks may result.

**ADJUSTING THE CUTTING ANGLE**

This tool is carefully adjusted and aligned at the factory, but rough handling may have affected the alignment. If your tool is not aligned properly, perform the following:

**CROSS CUT POSITION (Fig. 2, 9)**

1. Lower the saw head and fix it in place with the saw head stopper pin.

2. Loosen the saw head tilt lock lever.
3. Place the angular stop between the blade and the turn table.
4. Loosen the counter nut (27) and adjust with adjustment bolts (28) until the angle between the blade and the turn table equals 90°.
5. Retighten the counter nut to secure this setting, and check the position of the tilt angle pointer.

**45°BEVEL CUT POSITION (Fig. 2, 10)**

1. Lower the saw head and fix it in place with the saw head stopper pin.
2. Fix the turn table at 0°position.
3. Loosen the saw head tilt lock lever, and tilt the saw head to left 45° position.
4. Place the 45° angular stop between the blade and the turn table.
5. Loosen the counter nut and adjust the setting screw until the angle between the saw and the turn table equals exactly 45°.
6. Retighten the counter nut to secure this setting, and check the position of the tilt angle pointer.

**CARBON BRUSH**

Remove and check the carbon brushes regularly.

Replace the carbon brush when it is worn out.

Keep the carbon brushes clean and free to slip in the holders.

Both carbon brushes should be replaced at the same time. Use only identical carbon brushes sold by RYOBI service center or dealer.

1. Use a screwdriver to remove the carbon brush holder caps.
2. Take out the worn carbon brushes, insert the new ones and secure the brush holder caps.

**AFTER USER**

Wipe off chips and dust adhering to the tool with a cloth or the like. Keep the blade guard clean according to the directions in the previously covered section entitled "Blade guard".

Lubricate the sliding portions with machine oil to prevent rust.

When storing the tool, pull the carriage toward you fully.

— NOTE —

— NOTE —

## RYOBI POWER EQUIPMENT WARRANTY

Subject to the warranty conditions below, this RYOBI tool (hereinafter called "the Product"), is warranted by Ryobi (herein called "the Company") to be free from defects in material or workmanship for a period of 12 months from the date of original purchase covering both parts and labour. Under the terms of this warranty, the repair or replacement of any part shall be the opinion of the Company or its authorised agent. Should service become necessary during the warranty period, the owner should contact the authorised Ryobi retailer from whom the product was purchased, or the nearest Company branch office. In order to obtain warranty service, the owner must include the Sales Docket and Warranty Certificate to confirm date of purchase. This Product is sold by the dealer or agent as principal and the dealer has no authority from the Company to give any additional warranty or guarantee on the Company's behalf except as herein contained or herein referred to.

**Warranty Conditions**

This warranty only applies provided that the Product has been used in accordance with the manufacturer's recommendations under normal use and reasonable care (in the opinion of the Company) and such warranty does not cover consumable components, damage, malfunction or failure resulting from

misuse, neglect, abuse, or used for a purpose for which it was not designed, or is not suited and no repairs, alterations or modifications have been attempted by other than an Authorised Service Agent. This guarantee will not apply if the tool is damaged by accident or if repairs arise from normal wear and tear.

Accessories such as bits, blades, sanding discs, cutting lines, etc., are excluded from this guarantee. Normal consumable parts, such as carbon brushes, bearings, chucks, cord assembly's, spark plugs, recoil pulleys and bump head assembly's are specifically excluded from this guarantee.

The Company accepts no additional liability pursuant to this warranty for the costs of traveling or transportation of the Product or parts to and from the service dealer or agent - which costs are not included in the warranty.

Nothing herein shall have the effect of excluding, restricting or modifying any conditions, warranty, right or liability imposed, to the extent only that such exclusion, restriction or modification would render any term herein void.



**STEVENS & CO (Pty) Ltd**  
604, 16th Street, Randjespark  
Midrand, South Africa

P O Box 4059  
HALFWAY HOUSE  
1685, South Africa

Tel: +27 (11) 357-9600  
Fax: +27 (11) 805-5541  
email: [stevens@ryobi.co.za](mailto:stevens@ryobi.co.za)

### THIS WARRANTY FORM SHOULD BE RETAINED BY THE CUSTOMER AT ALL TIMES.

For your record and to assist in establishing date of purchase (necessary for in-warranty service), please keep your purchase docket and this form, completed with the following particulars.

PURCHASED FROM:.....

ADDRESS OF DEALER:.....

DATE:..... MODEL NO..... SERIAL NO.....

Present this form with your Purchase Docket when Warranty Service is required.