

RYOBI POWER EQUIPMENT WARRANTY

Subject to the warranty conditions below, this RYOBI tool (hereinafter called "the Product"), is warranted by Ryobi (herein called "the Company") to be free from defects in material or workmanship for a period of 12 months from the date of original purchase covering both parts and labour. Under the terms of this warranty, the repair or replacement of any part shall be the opinion of the Company or its authorised agent. Should service become necessary during the warranty period, the owner should contact the authorised Ryobi retailer from whom the product was purchased, or the nearest Company branch office. In order to obtain warranty service, the owner must include the Sales Docket and Warranty Certificate to confirm date of purchase. This Product is sold by the dealer or agent as principal and the dealer has no authority from the Company to give any additional warranty or guarantee on the Company's behalf except as herein contained or herein referred to.

Warranty Conditions

This warranty only applies provided that the Product has been used in accordance with the manufacturer's recommendations under normal use and reasonable care (in the opinion of the Company) and such warranty does not cover consumable components, damage, malfunction or failure resulting from

misuse, neglect, abuse, or used for a purpose for which it was not designed, or is not suited and no repairs, alterations or modifications have been attempted by other than an Authorised Service Agent. This guarantee will not apply if the tool is damaged by accident or if repairs arise from normal wear and tear.

Accessories such as bits, blades, sanding discs, cutting lines, etc., are excluded from this guarantee. Normal consumable parts, such as carbon brushes, bearings, chucks, cord assembly's, spark plugs, recoil pulleys and bump head assembly's are specifically excluded from this guarantee.

The Company accepts no additional liability pursuant to this warranty for the costs of traveling or transportation of the Product or parts to and from the service dealer or agent - which costs are not included in the warranty.

Nothing herein shall have the effect of excluding, restricting or modifying any conditions, warranty, right or liability imposed, to the extent only that such exclusion, restriction or modification would render any term herein void.

RYOBI®

STEVENS & CO (Pty) Ltd
604, 16th Street, Randjespark
Midrand, South Africa

P O Box 4059
HALFWAY HOUSE
1685, South Africa

Tel: +27 (11) 357-9600
Fax: +27 (11) 805-5541
email: stevens@ryobi.co.za

THIS WARRANTY FORM SHOULD BE RETAINED BY THE CUSTOMER AT ALL TIMES.

For your record and to assist in establishing date of purchase (necessary for in-warranty service), please keep your purchase docket and this form, completed with the following particulars.

PURCHASED FROM:.....

ADDRESS OF DEALER:.....

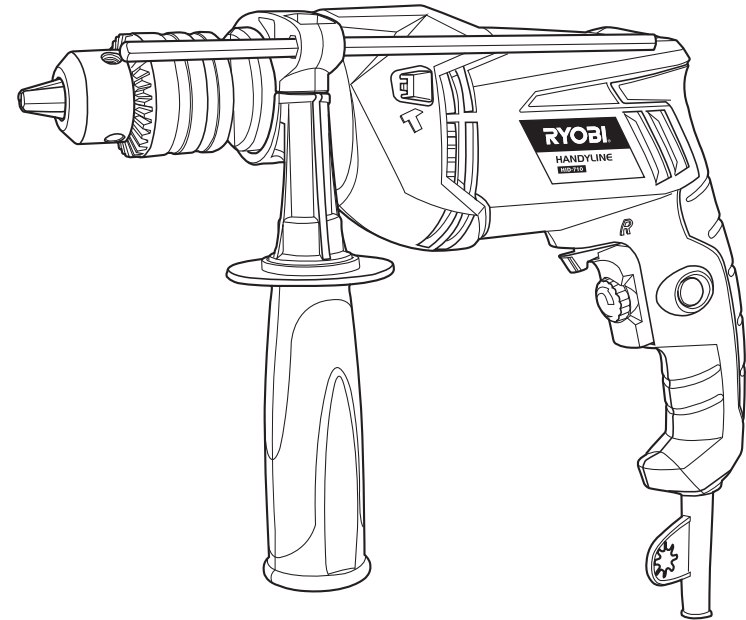
DATE:..... MODEL NO..... SERIAL NO.....

Present this form with your Purchase Docket when Warranty Service is required.

RYOBI®

HID-710

OWNER'S OPERATING MANUAL



RYOBI®

OWNER'S OPERATING MANUAL 710W IMPACT DRILL MODEL HID-710

SPECIFICATIONS

Voltage.....	230V~50Hz
Power input.....	710W
No load speed.....	0-3,000min ⁻¹
Impact Rate.....	0-48,000bpm
Max. Chuck Capacity.....	13mm
Max. Drilling Capacity.....	steel: 10mm; concrete: 13mm; wood: 25mm
Nett weight.....	2.14kg

THANK YOU FOR BUYING A RYOBI IMPACT DRILL

Your new impact drill has been engineered and manufactured to Ryobi's high standard of dependability, ease of operation, and operator safety. Properly cared for, it will give you years of rugged, trouble free performance. If you use your impact drill properly and only for what it is intended, you will enjoy years of safe, reliable service.



CAUTION: Carefully read through this entire owner's manual, paying close attention to the general safety rules and rules for safe operation, before using.

KEEP THIS MANUAL FOR FUTURE REFERENCE

RELEVANT SAFETY CERTIFICATE

DOUBLE INSULATION

Double insulation is a concept in safety in electric power tools, which eliminates the need for earth grounding. Whenever there is electric current in the tool there are two complete sets of insulation to protect the user. All exposed metal parts are isolated from the internal metal motor components with protecting insulation.



DOUBLE INSULATED



WARNING:

The double insulated system is intended to protect the user from shock resulting from a break in the tool's internal wiring. Observe all normal safety precautions related to avoiding electrical shock.

IMPORTANT: Servicing of a tool with double insulation requires extreme care and knowledge of the system and should be performed only by a qualified service technician. For service we suggest you return the tool to your nearest Ryobi Authorised Service Centre for repair. When servicing, use only identical Ryobi replacement parts.



WARNING: This machine is manufactured in accordance with the relevant safety requirements. To assure safety and reliability, all repairs should be performed by an Authorised Service Centre or other Qualified Service Organisations

GENERAL SAFETY RULES

The purpose of safety rules is to attract your attention to possible dangers. The safety symbols and the explanations with them, require your careful attention and understanding. The safety warnings do not by themselves eliminate any danger. The instruction or warnings they give are not substitutes for proper accident prevention measures.



SAFETY ALERT SYMBOL. Indicates caution or warning. May be used in conjunction with other symbols or pictures.

Failure to obey a safety warning can result in serious injury to yourself or to others. Always follow the safety precautions to reduce the risk of fire, electric shock and personal injury.

Do not attempt to operate this tool until you have read thoroughly and completely understood the safety rules, etc. contained in this manual. Failure to comply can result in accidents involving fire, electric shock or serious personal injury. Save this Owners Operating Manual and review it frequently for continual safe operation and for instructing others who may use this tool.



The operation of any tool can result in foreign objects being thrown into your eyes, which can result in severe eye damage. Before beginning

power tool operation, always wear safety goggles or safety glasses with side shields and a full face shield when needed. We recommend Wide Vision Safety Mask for use over eye glasses or standard safety glasses with side shields.

Due to continued product refinement policy, product features and specifications can and will change without notice. Check current features and specifications with your retailer.

RULES FOR SAFE OPERATION

WORK AREA

1. KEEP WORK AREA CLEAN AND WELL LIT. Cluttered, dark work areas and benches invite accidents and injury.

2. AVOID DANGEROUS WORK ENVIRONMENTS. Do not use power tools in damp or wet locations or expose power tools to rain. Do not use power tools in the presence of flammable liquids or gases as normal sparking of the motor could ignite fumes.

3. KEEP CHILDREN, BYSTANDERS AND PETS AWAY. Bystanders and children should wear safety glasses and be kept a safe distance from the work area. Do not let others make contact with the tool or extension cord. Distractions can cause you to lose control.

ELECTRICAL SAFETY

1. CHECK THE POWER SOURCE VOLTAGE. Before connecting a tool to a power source (power point receptacle, outlet, etc.) be sure that the voltage supply is the same as that specified on the nameplate of the tool. A power source with a voltage greater than that specified for the tool can result in serious injury to the user, as well as damage to the tool. If in doubt, do not plug in the tool. Using a power source with a voltage less than the nameplate rating is harmful to the motor.

2. POWER TOOL PLUGS MUST MATCH THE OUTLET. Never modify the plug in any way. Do not use any adaptor plugs with earthed (grounded) power tools. Unmodified plugs and matching outlets will reduce the risk of electric shock.

3. GUARD AGAINST ELECTRICAL SHOCK. Prevent body contact with grounded surfaces and objects such as water pipes, radiators, cookers and refrigerator enclosures.

4. DO NOT ABUSE THE CORD. Never carry the tool by its cord or yank it to disconnect it from the socket. Keep the cord away from heat, oil, sharp edges or moving parts. Damaged or entangled cords increase the risk of electric shock. Disconnect the tool from the power supply immediately if the supply cable is damaged or cut.

5. EXTENSION CORD. When an extension cord is used make sure:

- That the pins on the plug of the extension cord are the same in number, size and shape as those of the plug on the unit.

- That the extension cord is properly wired and in good electrical condition.
- That the wire size is large enough for the AC ampere rating of the unit.
- Ensure that the male and female plug connection is elevated and out of the way of any water contact.

6. OUTDOOR USE EXTENSION CORDS. When the tool is used outdoors, use only extension cords intended for use outdoor and so marked.

7. DO NOT EXPOSE POWER TOOLS TO RAIN OR WET CONDITIONS. Water entering a power tool will increase the risk of electric shock.

PERSONAL SAFETY

1. USE SAFETY EQUIPMENT. Always wear eye and hearing protection. Safety equipment such as safety glasses, a dust mask, non-skid safety shoes, hard hat, safety gloves or earmuffs, used for appropriate conditions will reduce personal injury. Everyday eyeglasses have impact resistant lenses only, they are not safety glasses. A face or dust mask is also required if dust is going to be created.

2. DRESS CORRECTLY. Do not wear loose clothing or jewelry, they can be caught in moving parts. Rubber gloves and non-slip Footwear are recommended when working outdoors. If you have long hair, wear protective hair covering.

3. STAY ALERT AND EXERCISE CONTROL. Watch what you are doing and use common sense. Do not operate a tool when you are tired. Do not rush.

4. DO NOT OPERATE THIS TOOL WHILE UNDER THE INFLUENCE OF DRUGS. Alcohol or any medication.

5. AVOID UNINTENTIONAL STARTING. Always check that the switch is in the OFF position before plugging in the tool to the power supply. Do not carry a plugged in tool with your finger on the switch.

6. DO NOT USE TOOL IF SWITCH DOES NOT TURN THE TOOL ON OR OFF. Have defective switches replaced by an authorised service centre.

7. TOOLS ARE NOT INTENDED FOR USE BY YOUNG OR INFIRM PERSONS WITHOUT SUPERVISION. Young children should be supervised to ensure that they do not play with the tool.

RULES FOR SAFE OPERATION

8. **REMOVE ADJUSTING KEYS AND WRENCHES BEFORE TURNING THE POWER TOOL ON.** A wrench or a key left attached to a rotating part of the power tool may result in serious personal injury.
9. **DO NOT OVERREACH.** Keep proper footing and balance at all times. Do not use tool on a ladder or unstable support. Secure tools when working at elevated levels.
10. **CONNECT DUST EXTRACTION EQUIPMENT.** If devices are provided for the connection of dust extraction and collection facilities, ensure these are connected and properly used. Use of these devices can reduce dust related hazards.
11. **DO NOT ALLOW PERSONS UNFAMILIAR WITH THE POWER TOOL OR THESE INSTRUCTIONS OPERATE THE POWER TOOL.** Power tools are dangerous in the hands of untrained users.

POWERTOOL USE AND CARE

1. **KNOW YOUR POWER TOOL.** Read this Operating Manual carefully learn its applications and limitations as well as the specific potential hazards related to this tool.
2. **DO NOT FORCE THE TOOL.** The tool will do the job better and safer working at the rate for which it was designed.
3. **USE THE CORRECT TOOL FOR THE JOB.** Do not force small tools or attachments to do the job of a heavier duty tool. Never use a tool for a purpose for which it was not intended.
4. **THE TOOL MUST BE USED FOR ITS PRESCRIBED PURPOSE.** Any use other than those mentioned in this manual will be considered a case of misuse. The user and not the manufacturer shall be liable for any damage or injury resulting from such cases of misuse.
5. **SECURE YOUR WORK.** Use clamps or a vice to hold your work. It is safer than using your hands and it frees both hands to operate the tool.
6. **DISCONNECT IDLE TOOLS.** Switch off the power and disconnect the plug from the power supply before servicing, when changing accessories and when the tool is not in use.
7. **MAINTAIN TOOLS WITH CARE.** Keep tools sharp and clean for better and safer performance. Follow instructions for lubricating and changing accessories. Inspect tool cords periodically and, if damaged have them repaired

by an authorised service facility. Inspect extension cords periodically and replace them if damaged. Keep tool handles dry, clean and free from oil and grease. Never use brake fluids, petrol, petroleum based products, or any strong solvents to clean your tools.

8. **CHECK DAMAGED PARTS.** Before using a tool, check that there are no damaged parts. If a part is damaged, carefully determine if it will operate properly and perform its intended function. Check for misalignment of moving parts, binding of moving parts, breakage of parts, proper mounting and any other conditions that may affect the operation of the tool. A part that is damaged should be properly repaired or replaced by an authorised service centre, unless otherwise indicated in this Operating Manual. Defective switches must be replaced by an authorised service centre. Do not use a tool if the switch does not turn the tool on and off correctly.
9. **DISCONNECT THE PLUG FROM THE POWER SUPPLY BEFORE MAKING ANY ADJUSTMENTS,** changing accessories, or storing the power tool. Such preventative safety measures reduce the risk of starting the power tool accidentally.
10. **USE ONLY APPROVED PARTS.** When servicing, use only identical replacement parts. Use an authorised service centre to fit replacement parts.
11. **DO NOT MAKE ANY CHANGES TO THE TOOL.** The manufacturer shall not be liable for any changes made to the tool nor for any damage resulting from such changes.
12. **STORE TOOLS SAFELY.** When not in use, tools should be stored in a dry, high and locked-up place, out of reach of children.

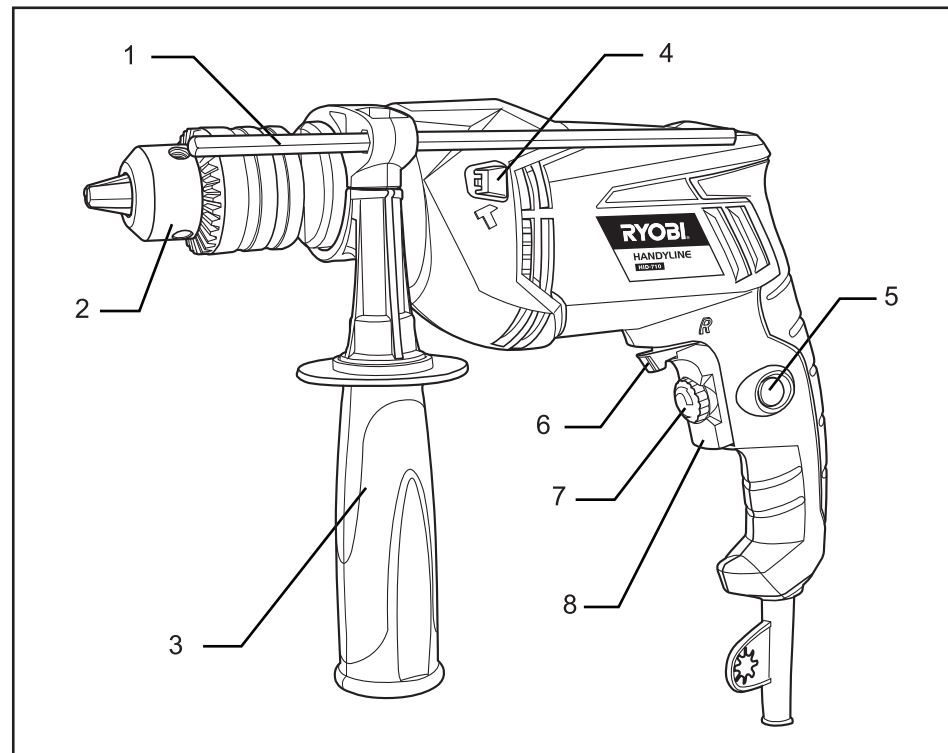


WARNING: This electric tool is manufactured in accordance with the relevant safety requirements. To assure safety and reliability, all repairs should be performed by an Authorised Service Centre or other Qualified Service Organisation.

SPECIFIC SAFETY RULES FOR IMPACT DRILL

1. **Wear ear protectors with impact drills.** Exposure to noise can cause hearing loss.
2. **Use auxiliary handles supplied with the tool.** Loss of control can cause personal injury.
3. **Make sure drill bit is securely mounted.** An incorrectly mounted bit is extremely dangerous since it can fly off or break during drilling.
4. Do not wear cloth gloves or a necktie since they could become caught in a rotating bit.
5. Never touch the chuck or metal body parts when drilling walls, floors, or other surfaces covering electrical wiring. Hold the drill only by the plastic handle to prevent electric shock.
6. While operating the workpiece must be held with the vise or the clamp etc. securely, for preventing to move it by the drill rotation.

DESCRIPTION



- | | |
|-------------------------|-----------------------|
| 1. Adjustment stopper | 5. Lock button |
| 2. Drill chuck | 6. Reversing lever |
| 3. Aux. handle | 7. Speed control dial |
| 4. Impact shifting knob | 8. Switch |

APPLICATIONS

(Use only for the purposes listed below.)

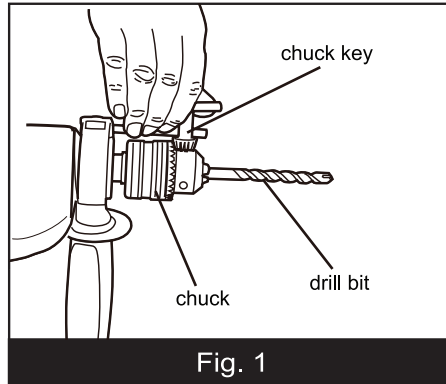
1. Drilling wood, metal and resin boards
2. Drilling concrete (impact drill only).

PREPARATION

MOUNTING OF BIT(Fig. 1)

When mounting the drill bit, insert the bit into chuck as far as it will go and tighten securely using the chuck key provided. There are three holes into which the chuck key should be inserted. Tighten each one equally in turn.

The bit can be removed by following the above method in reverse.



SWITCH (Fig. 2)

This tool starts and stops by depressing and releasing the switch.

SPEED CONTROL (Fig. 2)

The speed can be adjusted from 0 through 3,000 min^{-1} by regulating the trigger-squeezing force. For continuous operation, press the lock button while switch is depressed.

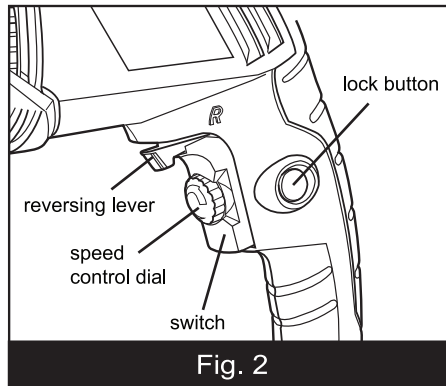
Depress again to release the lock.

The speed control dial allows setting a limit on the desired speed.

CHANGING DIRECTION (Fig. 2)

To reverse the direction of rotation, stop the drill by releasing the trigger and push the reversing lever to the right or left.

When the reversing switch is in the position marked "L", the direction of rotation will be clockwise when viewed from the handle end of the drill. When the reversing switch is in the position marked "R", the direction of rotation will be counterclockwise.



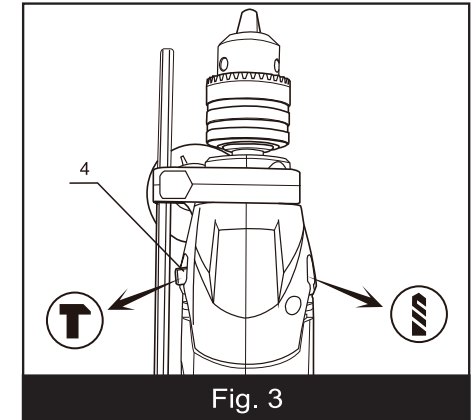
PREPARATION

OPERATION OF PERCUSSION GEAR (Fig. 3)

An impact shifting knob has been provided on top of the gear case.

DRILLING - Shift the impact knob to the symbol indicating "⚙️" for rotation without impact action.

IMPACT MODE - Shift the impact knob to the symbol indicating "🔨" for impact drilling.



OPERATION



WARNING:

Never cover air vents since they must always be open for proper motor cooling.

DRILLING IN WOOD (Fig. 4)

To prevent ugly splits around the drillhole on the reverse side of the workpiece, place a scrap piece of lumber beneath the material to be drilled.

DRILLING IN METAL (Fig. 5)

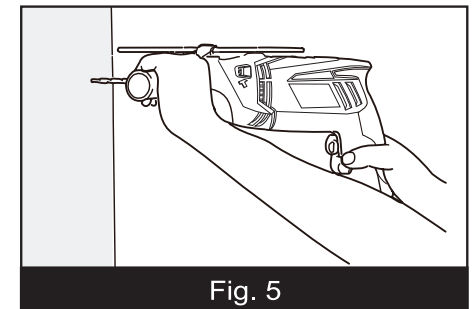
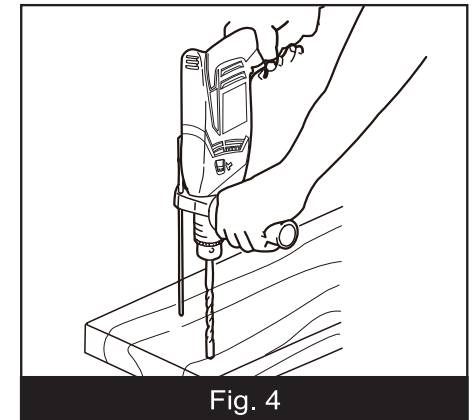
Metals such as steel brass, aluminum sheets, stainless steel, and pipe may also be drilled. Mark the point to be drilled with a nail or a punch.

DRILLING IN CONCRETE(Fig. 6)

Rock and masonry are generally drilled in the impact mode.

When drilling delicate materials such as wall tiles, it is essential to start with ordinary drilling and once the tile is pierced, to continue with impact drilling.

In deep boreholes the drill bit should be pulled out occasionally in order to remove the dust and chips from the hole.



OPERATION

AUX. HANDLE AND ADJUSTMENT STOPPER

Install the aux. handle on the head of the housing and insert the adjustment stopper in the hole provided.

The aux. handle can swivel 360° for the most comfortable position and easiest operation.

The stopper helps keep an accurate depth when drilling holes

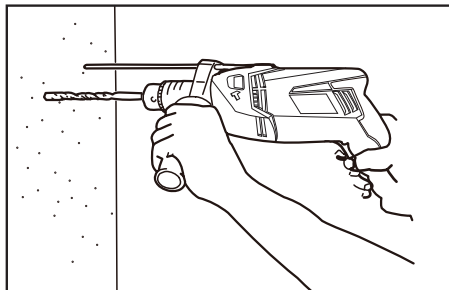


Fig. 6

MAINTENANCE

After use, check the tool to make sure that it is in top condition.

It is recommended that you take this tool to a Ryobi Authorized Service Center for a thorough cleaning and lubrication at least once a year.

DO NOT MAKE ANY ADJUSTMENTS WHILE THE MOTOR IS IN MOTION.

ALWAYS DISCONNECT THE POWER CORD FROM THE RECEPTACLE BEFORE CHANGING REMOVABLE OR EXPENDABLE PARTS



(BLADE, BIT, SANDING PAPER ETC.), LUBRICATING OR WORKING ON THE UNIT.

WARNING:

To ensure safety and reliability, all repairs should be performed by an **AUTHORIZED SERVICE CENTER** or other **QUALIFIED SERVICE ORGANIZATION**.

SAVE THESE INSTRUCTIONS FOR FUTURE REFERENCE.

— NOTE —