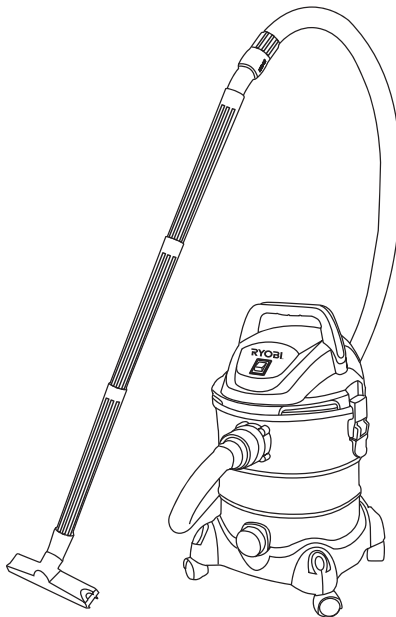
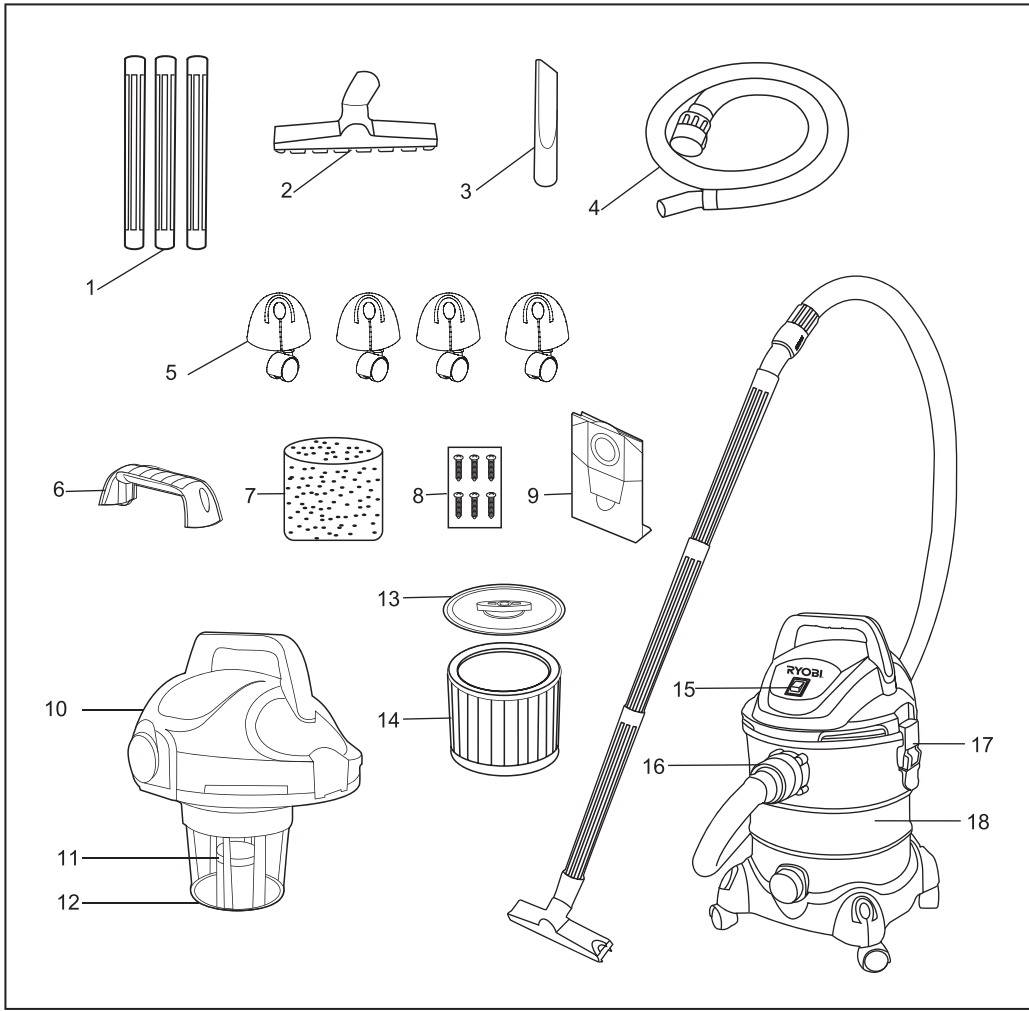


RYOBI®

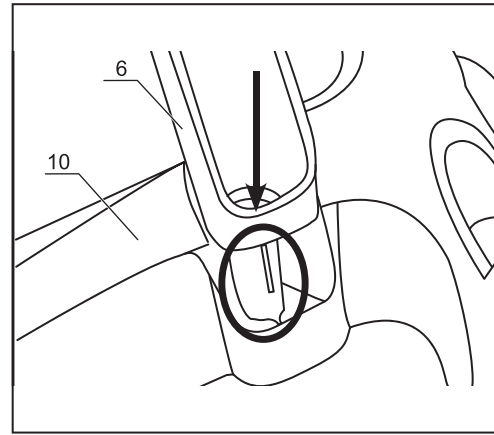
VC-25HD

GB OWNER'S OPERATING MANUAL

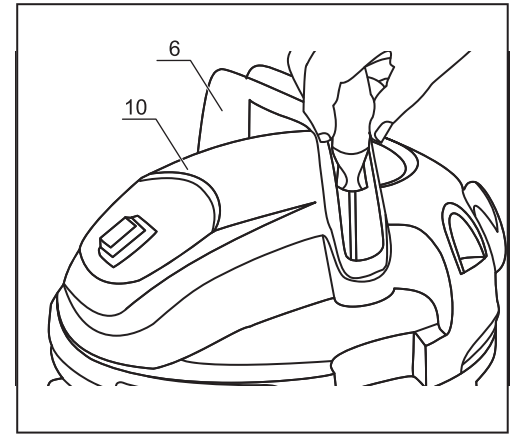




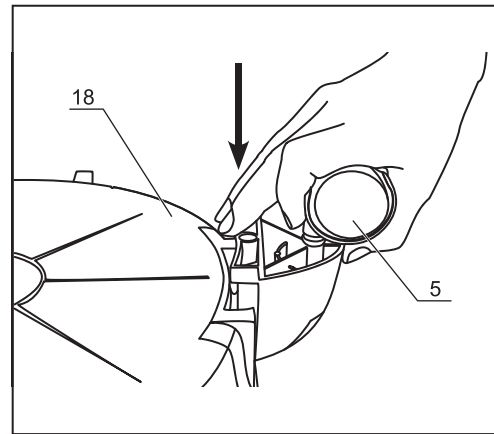
1



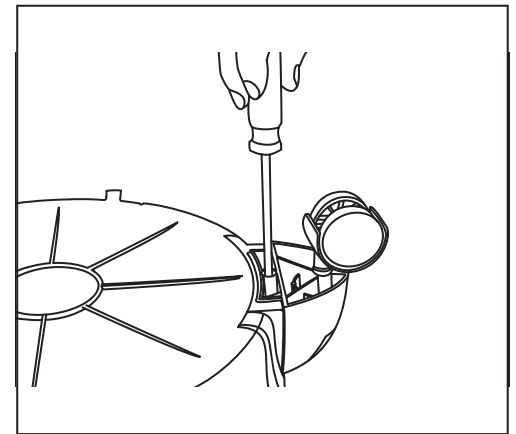
4



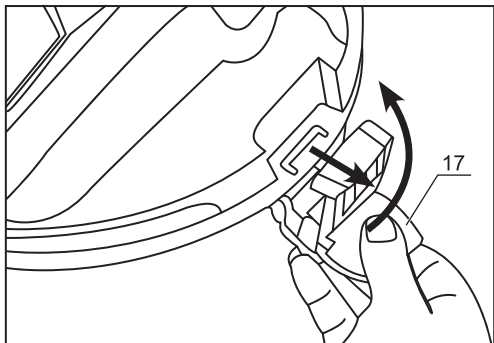
5



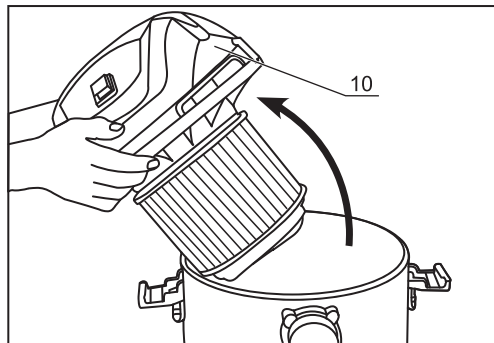
6



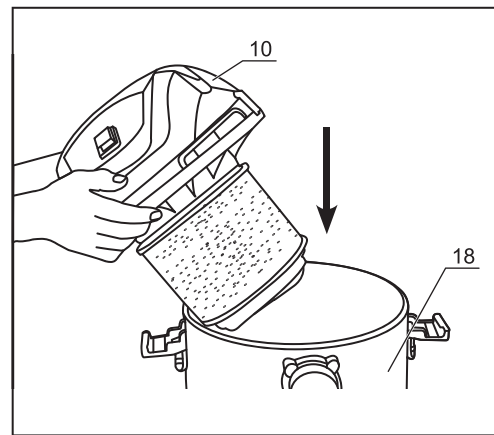
7



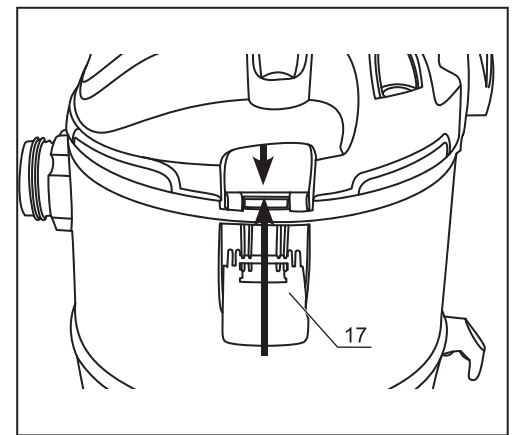
2



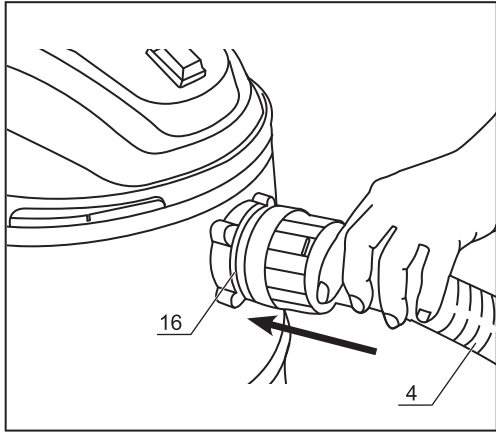
3



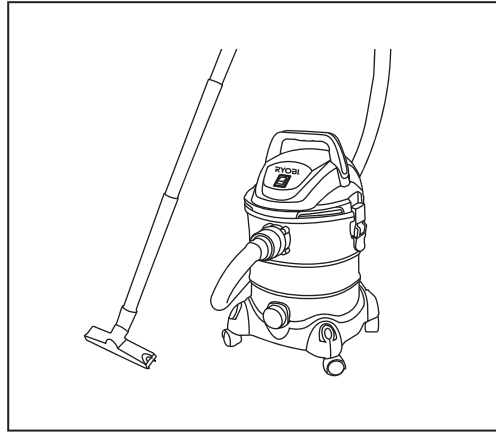
8



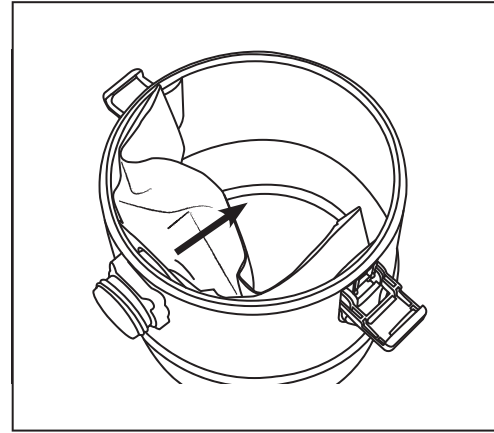
9



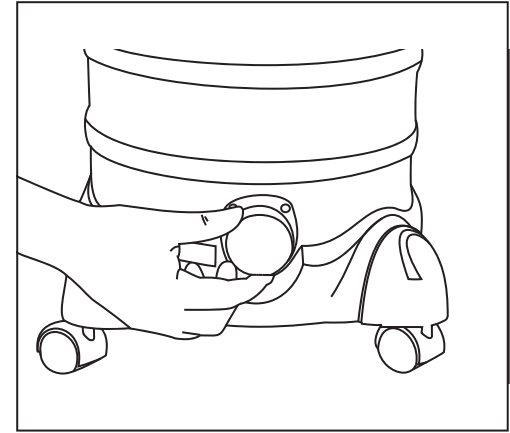
10



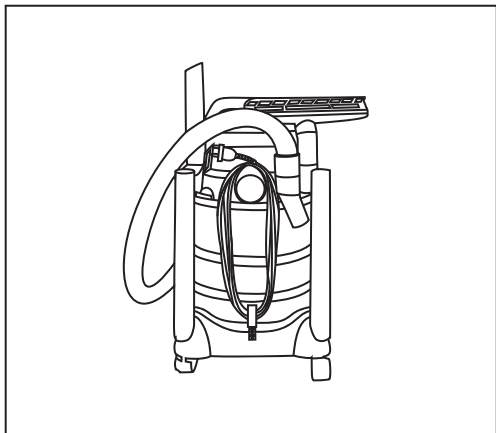
11



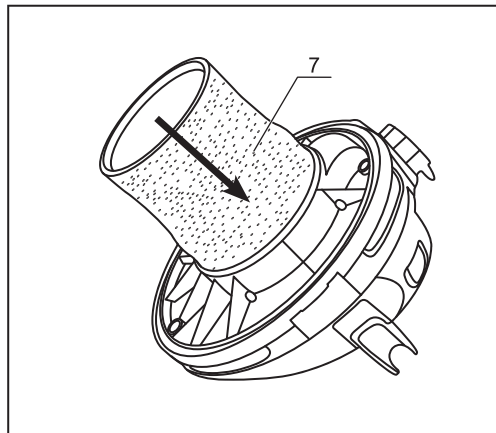
16



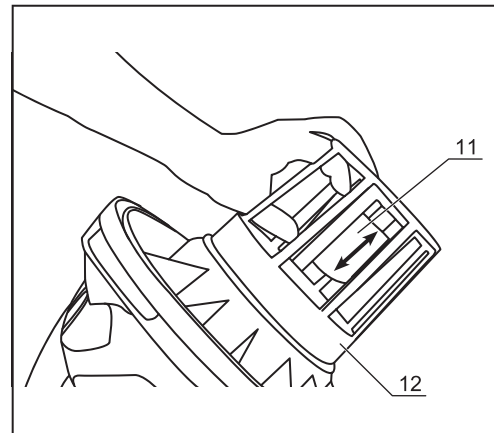
17



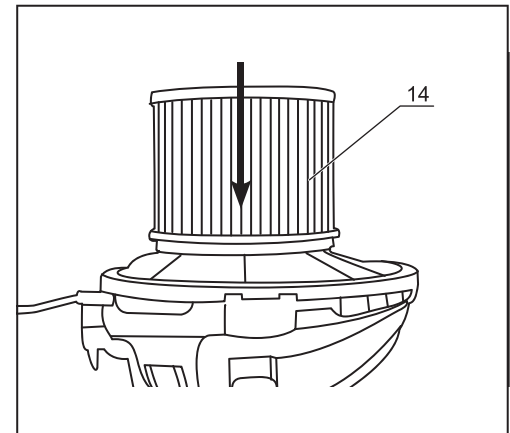
12



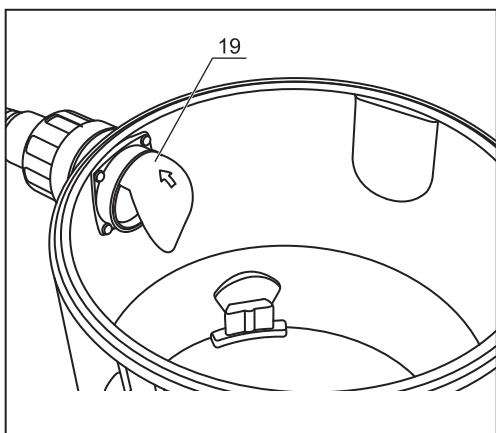
13



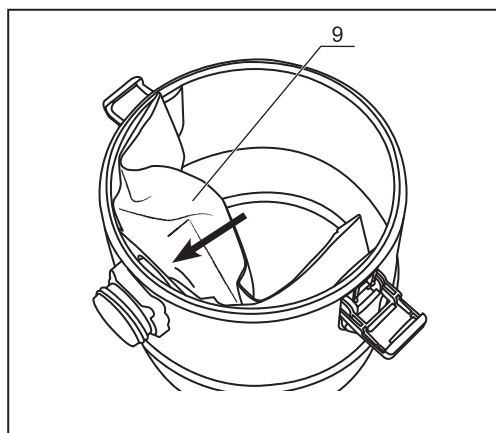
18



19



14



15

SAFETY INFORMATION AND WARNINGS



WARNING

This appliance complies with the compulsory safety regulations for electric equipment. However, improper use can be harmful to people and property. Please read these operating instructions carefully and completely before switching the appliance on. Keep the operating instructions, the guarantee certificate, the receipt, as well as the packaging and packaging material if at all possible.

- This appliance is designed solely for use in the private sector and for the designated purpose. The appliance is not suitable for commercial use. Don't use the appliance outdoors (unless it has been specifically designed for use outdoors). Don't subject the appliance to heat, direct sunshine or very high moisture (e.g. rain). Never immerse the appliance in liquids and be aware of sharp edges that may damage it. Never use the appliance with wet or damp hands. Unplug it immediately if the appliance becomes wet or damp when it is running. Don't immerse the appliance in water.
- This wet/dry vacuum cleaner may only be used and kept in a private home.
- The appliance is designed to vacuum up materials that are not hazardous to your health and that are not flammable.
- Never hold the connectors in front of your face (especially your eyes, ears, etc.) Never direct the nozzle towards persons or animals.
- Only use the appliance for its designated purpose. Any other types of use are at your own risk and are possibly dangerous.
- Other uses and unattended operation are not allowed.
- The manufacturer cannot be made responsible for damages that are caused by improper use or incorrect operation.
- Wear protective clothing and gloves.
- Connect the appliance only to a 230 volt alternating current receptacle. The receptacle should be protected by a 10-amp fuse.
- Make sure that the correct dust bag has been inserted securely in its holder before using the appliance. The wrong dust bag or incorrectly installed dust bags can cause damage to the appliance and cause the guarantee to become void.
- If the power cord is damaged, it must be completely replaced along with the cable cylinder by an AUTHORISED SERVICE CENTRE or other QUALIFIED SERVICE ORGANISATION.
- Do not vacuum up ashes, hot coals and the like, large fragments of glass and sharp objects.
- Don't vacuum up any toner dust, which is used in printers and copiers for example, because it is electrically conductive. In addition, it is possible that it will not be completely filtered out by the filter system of the wet/dry vacuum cleaner and can be released into the air via the exhaust fan.
- Never vacuum flammable or poisonous liquids like petrol, oil, acids, or other volatile substances.
- Don't vacuum up liquids that are hotter than 60° or any poisonous or flammable dusts.
- Never lay the appliance on its side. Pay particular attention to a horizontal position and adequate stability on stairs.
- Always unplug the appliance after use and before cleaning or changing the filters or accessories.
- Only trained specialists may make repairs on electric equipment. Improper repairs could result in considerable danger to the user.
- Do not store the appliance directly beside a hot oven or radiator.
- Children, disabled persons, and the aged are often not aware of the dangers that can result from handling electric appliances. The above mentioned persons and untrained persons must never work with this electrical appliance.

- When cleaning or removing the appliance, always switch it off. Pull the plug out of the receptacle, if you are not going to use the appliance for an extended period of time. Never pull on the cable to unplug the appliance, rather pull on the plug itself. Also, remove any special accessories from the appliance.
- Always keep the appliance clean. Don't use any solvents or cleaners that may damage or be harmful to the appliance or user.
- Never leave the appliance switched on unattended. If you leave the work area, switch the appliance off or unplug it from the receptacle (don't pull the cord, but use the plug).
- In order to protect children from electric household appliances, make sure that the cable can't cause children to stumble and don't give children access to the appliance.
- Never use the appliance when you are under the influence of medication, alcohol or drugs, if you are currently under medical care, or if you are tired.
- Check the appliance and the power cord regularly for any possible damage. Don't use damaged appliances.

SAFETY INFORMATION AND WARNINGS

- Don't try to repair the appliance yourself. Always use an authorised technician for repairs. Always have faulty power cords replaced immediately by the manufacturer or a qualified service organisation. Use the same type of cable in order to prevent any danger of electric shock and injury.
- Only use original spare parts and accessories. Non approved parts or third-party accessories may be a possible source of danger and cause the guarantee to become void.
- Check the float often.
- If you notice liquid leaking from your appliance, switch it off immediately and unplug it.
- Don't put the appliance in water. Make sure that water is not spilled on the appliance.
- When disposing of the wastewater, make sure that you observe any legal regulations.
- Only store the appliance in a safe and dry location outside the reach of children.
- Please also pay particular attention to the following "Special Safety Information".
- "This appliance is not intended for use by persons (including children) with reduced physical, sensory or mental capabilities, or lack of experience and knowledge, unless they have been given supervision or instruction concerning use of the appliance by a person responsible for their safety".
- "Children should be supervised to ensure that they do not play with the appliance".
- "If the supply cord is damaged, it must be replaced by the manufacturer, its service agent or similarly qualified persons in order to avoid a hazard."

SPECIAL SAFETY RULES

- Never vacuum up hot ashes or pointed or sharp objects.
- Never use the appliance in damp rooms.
- Don't use the appliance without a dust bag (an exception is wet vacuuming or with the cartridge filter). Make sure that the dust bag is inserted into the appliance correctly.
- When using the appliance, make sure that no hair, clothing, or members are drawn in.
- Keep the vacuum cleaner away from heat sources such as radiant heaters, ovens, and so on.

DISPOSAL INFORMATION

- The appliance contains electric and electronic components and may not be disposed of as household garbage.
- The local and currently applicable legislation must be observed unconditionally.

DESCRIPTION

1. Wand (x3)	10. Upper section	11. Float
2. Floor tool	12. Filter basket	
3. Crevice tool	13. Cartridge filter cap	
4. Hose set	14. Cartridge filter	
5. Wheels (x4)	15. ON/OFF switch	
6. Handle	16. Front air intake stub	
7. Foam filter	17. Clamps (x2)	
8. Screws	18. Tank	
9. Dust bag	19. Hose connection	

SPECIFICATIONS

Supply voltage:..... 230 V ~ 50Hz
 Max. power:..... 1250W
 Tank volume:..... 20 l Inox
 Hose system:..... 35 mm Ø
 Filter - dry: paper bag
 Filter - wet: foam filter

PACKAGING CONTENT

see figure 1

- Carefully unpack the contents of the box.
- Hold the two clamps, which hold the upper section in its position and fold them upwards.
- Loosen the clamps, remove the upper section, and remove the contents from the tank.
- Please check the parts using the components list to make sure they are complete and that there has been no damage in transport.
- If any parts are missing or damaged, then please contact your dealer immediately.

ASSEMBLY

- Make sure that the connector is not plugged in.
- Hold the two clamps (17), which hold the upper section (10) in its position and fold them upwards. (Fig. 2)
- Loosen the clamps and lift the upper section up and out. (Fig. 3)
- Slide the handle (6) onto the upper section from the top. Make sure that the guide of the handle fastener is inserted on the right side in the handle holder. (Fig. 4)
- Fasten the handle to the upper section with the two accompanying screws. (Fig. 5)
- Turn the tank over so that the upper section is on the bottom.
- Put the four wheels (5) in the guides on the bottom of the tank (18). (Fig. 6)
- Check that the wheels have been pushed completely into the guides.
- Fasten the wheels with four accompanying screws. (Fig. 7)
- Insert the foam filter (7) that has been supplied for wet vacuuming. (see the section called "Wet Vacuuming")
- Insert the dust bag (9) that has been supplied for dry vacuuming. (see the section called "Dry Vacuuming")
- Replace the upper section on the tank. (Fig. 8)
- Align the upper section with the clamps. (Fig. 9)
- Hook the clamps into the upper section and let them snap into place by pressing the clamps downwards.
- Place the large end of the hose (4) on the front air intake stub (16) on the tank. (Fig. 10)
- Select a nozzle or the telescopic tube and slide it over the suction tube. (Fig. 11)
- After using and cleaning the appliance, store the accessories by attaching them to the corresponding holders on the vacuum cleaner. (Fig. 12)

OPERATION

DRY VACUUM CLEANING

WARNING



It is absolutely necessary for you to read, understand, and observe the section entitled "Safety Information and Warnings".

- Never vacuum up hazardous materials. If an incorrect dust bag is used, then the guarantee becomes void.
- Make sure that the appliance is not plugged into the power mains.
- Make sure that the foam filter is clean and dry and installed over the filter basket (12). (Fig. 13)
- Slide the dust bag over the hose connection (19) in the tank. Press it until it snaps firmly into place. In the process, make sure that the dust bag is not damaged. (Fig. 14-15)
- Place the upper section on the tank once again and close the clamps. (Fig. 8-9)
- Place the large end of the hose on the front air intake stub on the tank. (Fig. 10)

- Select the desired nozzle or the telescopic tube; connect it to the vacuum hose. (Fig. 11)
- Make sure that the ON/OFF switch on the appliance is in the "OFF" position (position "0") before you plug the power plug into the receptacle.
- Plug the power plug into the receptacle.
- Switch the motor on (ON/OFF switch in position "I").
- When you have finished vacuuming, switch the motor off by putting the ON/OFF switch into the "OFF" position (position "O").
- Unplug the power plug.
- Check the dust bag regularly and change it when it is 2/3 full. The bag is designed such that only air, and no dust, can pass through the paper. Therefore a used dust bag may not be re-used.

NOTE: Don't use the dust bag for vacuuming up objects with sharp edges or wet objects.

CARTRIDGE FILTER

- When using the cartridge filter (14), no dust bag is necessary.
- Place the cartridge filter on the filter basket from the top, turn on the cartridge filter cap (13). (Fig. 19)
- After extended use, it can be cleaned by banging it out or brushing it out.

WET VACUUM CLEANING



WARNING

It is absolutely necessary for you to read, understand, and observe the section entitled "Safety Information and Warnings".

NOTE: Never vacuum up hazardous materials.

- Make sure that the appliance is not plugged into the power mains.
- Check to make sure that the tank is free of dust and dirt.
- Remove the dust bag and only leave the foam filter over the filter basket. (Fig. 16)
- Place the upper section on the tank once again and close the clamps. (Fig. 8-9)
- Place the large end of the hose on the front air intake stub on the tank. (Fig. 10)
- Select a nozzle or the telescopic tube and slide it over the suction tube. (Fig. 11)
- Make sure that the ON/OFF switch on the appliance is in the "OFF" position (position "0") before you plug the power plug into the receptacle.
- Plug the power plug into the receptacle.
- Switch the motor on (ON/OFF switch in position "I").
- When you have finished wet vacuuming, switch the motor off by putting the ON/OFF switch into the "OFF" position (position "O").
- Unplug the power plug.
- After use, empty and dry the tank.
- Tip: If you want to vacuum up a large quantity of liquid from a sink or a tank, please don't put the entire suction nozzle in the liquid; rather leave a little space so that some air can also be drawn in along with the liquid.
- The appliance is equipped with a float switch that will stop the vacuuming when the tank is full. You will notice that suction has stopped by the motor now running faster. In this event, switch the appliance off and unplug it.
- Be aware that the full tank can be very heavy. In this event, place the appliance over a drain and carefully open the outlet screw. The contents of the tank can now drain out to a great extent. (Fig. 17)
- Now, remove the upper section from the tank and pour the rest of the liquid into a suitable tank or drain. Then, you can con-

tinue vacuuming after you have replaced the upper section.

- After wet vacuuming, switch off the appliance and unplug it. Empty the container and clean/dry it inside and outside before putting it away.



WARNING

After wet vacuuming, please proceed as described in the section entitled "Dry Vacuuming" before you dry vacuum again.

MAINTENANCE

- Make sure that the appliance is not plugged into the power mains.
- Remove the suction hose from the tank.
- Loosen the clamps and separate the upper section from the tank.
- Remove all the dirt and residue from the tank and the hose.
- Clean the foam filter by washing it with a mild detergent.
- Check the hoses and connections and check the power cord for any damage.
- When the foam filter is removed, check the float. To do this, take the upper section by the handle and tip it carefully so that the filter basket is facing upwards. The float should move freely up and down. (Fig. 18)

— NOTE —

— NOTE —

RYOBI POWER EQUIPMENT WARRANTY

Subject to the warranty conditions below, this RYOBI tool (hereinafter called "the Product"), is warranted by Ryobi (herein called "the Company") to be free from defects in material or workmanship for a period of 24 months from the date of original purchase covering both parts and labour. Under the terms of this warranty, the repair or replacement of any part shall be the opinion of the Company or its authorised agent. Should service become necessary during the warranty period, the owner should contact the authorised Ryobi retailer from whom the product was purchased, or the nearest Company branch office. In order to obtain warranty service, the owner must include the Sales Docket and Warranty Certificate to confirm date of purchase. This Product is sold by the dealer or agent as principal and the dealer has no authority from the Company to give any additional warranty or guarantee on the Company's behalf except as herein contained or herein referred to.

Warranty Conditions

This warranty only applies provided that the Product has been used in accordance with the manufacturer's recommendations under normal use and reasonable care (in the opinion of the Company) and such warranty does not cover consumable components, damage, malfunction or failure resulting from

misuse, neglect, abuse, or used for a purpose for which it was not designed, or is not suited and no repairs, alterations or modifications have been attempted by other than an Authorised Service Agent. This guarantee will not apply if the tool is damaged by accident or if repairs arise from normal wear and tear.

Accessories such as bits, blades, sanding discs, cutting lines, etc., are excluded from this guarantee. Normal consumable parts, such as carbon brushes, bearings, chucks, cord assembly's, spark plugs, recoil pulleys and bump head assembly's are specifically excluded from this guarantee.

The Company accepts no additional liability pursuant to this warranty for the costs of traveling or transportation of the Product or parts to and from the service dealer or agent - which costs are not included in the warranty.

Nothing herein shall have the effect of excluding, restricting or modifying any conditions, warranty, right or liability imposed, to the extent only that such exclusion, restriction or modification would render any term herein void.



STEVENS & CO (Pty) Ltd

604, 16th Street, Randjespark
Midrand, South Africa

P O Box 4059

HALFWAY HOUSE
1685, South Africa

Tel: +27 (11) 357-9600

Fax: +27 (11) 805-5541

email: stevens@ryobi.co.za

THIS WARRANTY FORM SHOULD BE RETAINED BY THE CUSTOMER AT ALL TIMES.

For your record and to assist in establishing date of purchase (necessary for in-warranty service), please keep your purchase docket and this form, completed with the following particulars.

PURCHASED FROM:.....

ADDRESS OF DEALER:.....

DATE:..... MODEL NO..... SERIAL NO.....

Present this form with your Purchase Docket when Warranty Service is required.