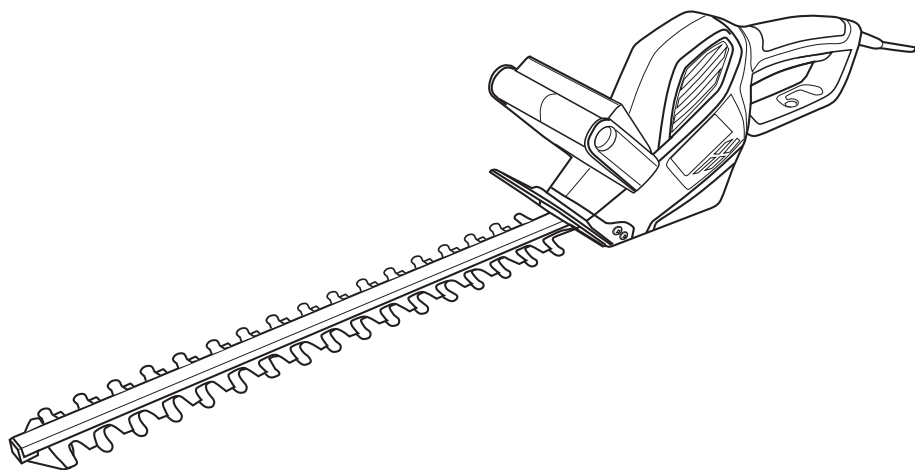


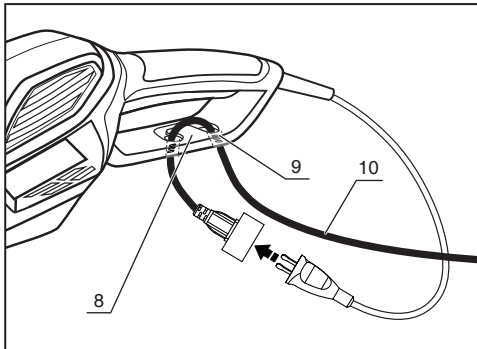
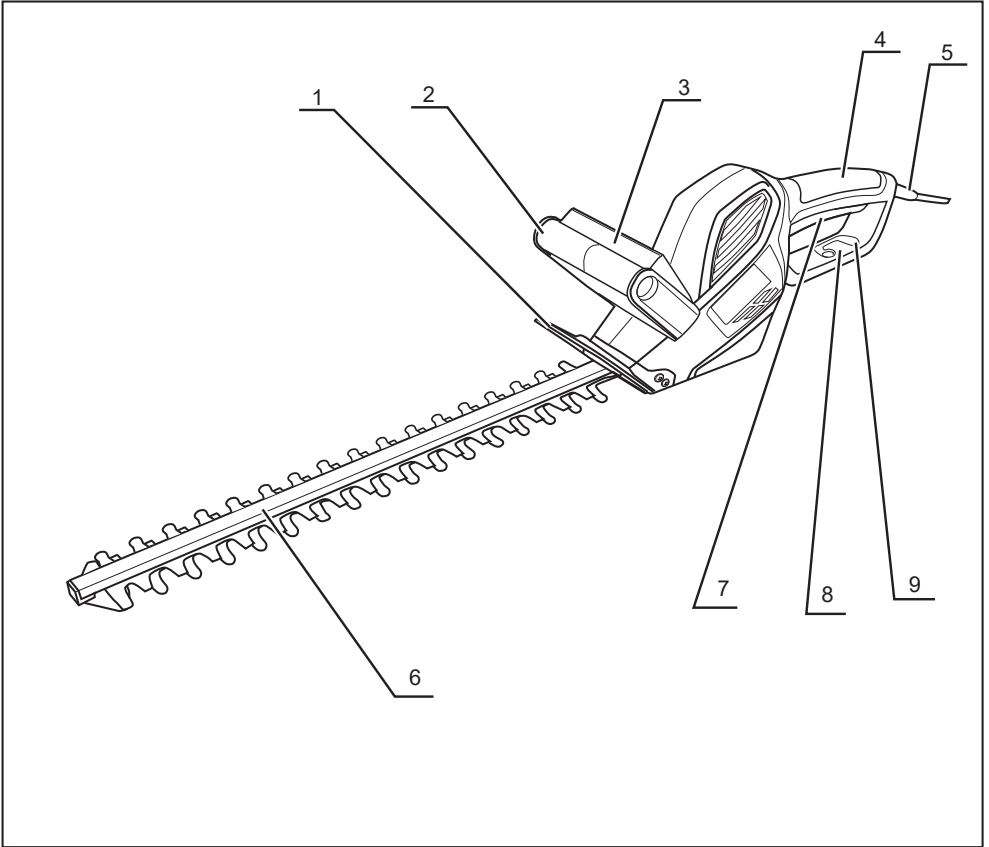
RYOBI®

RHT-500

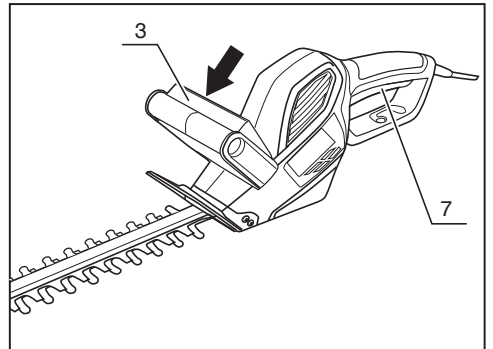
GB OWNER'S OPERATING MANUAL



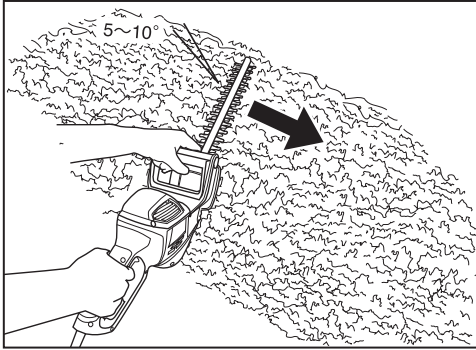
CE 



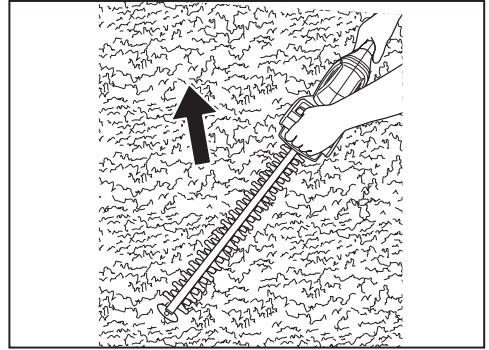
1



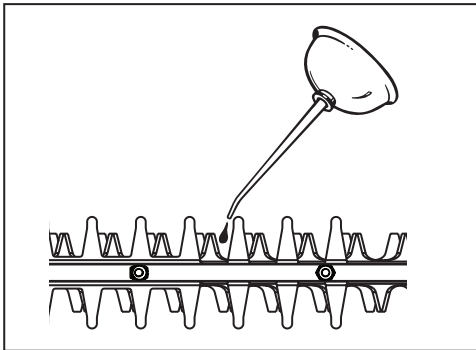
2



3



4



5



THANK YOU FOR BUYING A RYOBI PRODUCT

To ensure your safety and satisfaction, carefully read through this OWNER'S MANUAL before using the product.

General Safety Rules

WARNING! Read all instructions. Failure to follow all instructions listed below may result in electric shock, fire and/or serious injury. The term "power tool" in all of the warnings listed below refers to your mains-operated (corded) power tool or battery-operated (cordless) power tool.

SAVE THESE INSTRUCTIONS

1) Work area

- a) **Keep work area clean and well lit.** Cluttered and dark areas invite accidents.
- b) **Do not operate power tools in explosive atmospheres, such as in the presence of flammable liquids, gases or dust.** Power tools create sparks which may ignite the dust or fumes.
- c) **Keep children and bystanders away while operating a power tool.** Distractions can cause you to lose control.

2) Electrical safety

- a) **Power tool plugs must match the outlet. Never modify the plug in any way. Do not use any adapter plugs with earthed (grounded) power tools.** Unmodified plugs and matching outlets will reduce risk of electric shock
- b) **Avoid body contact with earthed or grounded surfaces such as pipes, radiators, ranges and refrigerators.** There is an increased risk of electric shock if your body is earthed or grounded.
- c) **Do not expose power tools to rain or wet conditions.** Water entering a power tool will increase the risk of electric shock.
- d) **Do not abuse the cord. Never use the cord for carrying, pulling or unplugging the power tool. Keep cord away from heat, oil, sharp edges or moving parts.** Damaged or entangled cords increase the risk of electric shock.
- e) **When operating a power tool outdoors, use an extension cord suitable for outdoor use.** Use of a cord suitable for outdoor use reduces the risk of electric shock.

3) Personal safety

- a) **Stay alert, watch what you are doing and use common sense when operating a power tool. Do not use a power tool while you are tired or under the influence of drugs, alcohol or medication.** A moment of inattention while operating power tools may result in serious personal injury.
- b) **Use safety equipment. Always wear eye protection.** Safety equipment such as dust mask, non-skid safety shoes, hard hat, or hearing protection used for appropriate conditions will reduce personal injuries.

- c) **Avoid accidental starting. Ensure the switch is in the off-position before plugging in.** Carrying power tools with your finger on the switch or plugging in power tools that have the switch on invites accidents.
- d) **Remove any adjusting key or wrench before turning the power tool on.** A wrench or a key left attached to a rotating part of the power tool may result in personal injury.
- e) **Do not overreach. Keep proper footing and balance at all times.** This enables better control of the power tool in unexpected situations.
- f) **Dress properly. Do not wear loose clothing or jewellery. Keep your hair, clothing and gloves away from moving parts.** Loose clothes, jewellery or long hair can be caught in moving parts.
- g) **If devices are provided for the connection of dust extraction and collection facilities, ensure these are connected and properly used.** Use of these devices can reduce dust-related hazards.

4) Power tool use and care

- a) **Do not force the power tool. Use the correct power tool for your application.** The correct power tool will do the job better and safer at the rate for which it was designed.
- b) **Do not use the power tool if the switch does not turn it on and off.** Any power tool that cannot be controlled with the switch is dangerous and must be repaired.
- c) **Disconnect the plug from the power source before making any adjustments, changing accessories, or storing power tools.** Such preventive safety measures reduce the risk of starting the power tool accidentally.
- d) **Store idle power tools out of the reach of children and do not allow persons unfamiliar with the power tool or these instructions to operate the power tool.** Power tools are dangerous in the hands of untrained users.
- e) **Maintain power tools. Check for misalignment or binding of moving parts, breakage of parts and any other condition that may affect the power tools operation. If damaged, have the power tool repaired before use.** Many accidents are caused by poorly maintained power tools.
- f) **Keep cutting tools sharp and clean.** Properly maintained cutting tools with sharp cutting edges are less likely to bind and are easier to control.
- g) **Use the power tool, accessories and tool bits etc., in accordance with these instructions and in the manner intended for the particular type of power tool, taking into account the working conditions and the work to be performed.** Use of the power tool for operations different from intended could result in a hazardous situation.

5) Service

- a) **Have your power tool serviced by a qualified repair person using only identical replacement parts.** This will ensure that the safety of the power tool is maintained.

INSTRUCTIONS FOR SAFE HANDLING

1. Make sure that the tool is only connected to the voltage marked on the name plate.
2. Never use the tool if its cover or any bolts are missing. If the cover or bolts have been removed, replace them prior to use. Maintain all parts in good working order.
3. Always secure tools when working in elevated positions.
4. Never touch the blade, drill bit, grinding wheel or other moving parts during use.
5. Never start a tool when its rotating component is in contact with the workpiece.
6. Never lay a tool down before its moving parts have come to a complete stop.
7. **ACCESSORIES:** The use of accessories or attachments other than those recommended in these instructions might present a hazard.
8. **REPLACEMENT PARTS:** When servicing use only identical replacement parts.

SPECIFIC SAFETY RULES FOR HEDGE TRIMMER

1. Use non-slip, heavy-duty protective gloves when operating the hedge trimmer and when installing or removing blades.
2. Replace any blade that has been damaged. Always make sure blade is installed correctly and securely fastened before each use. Failure to do so can cause serious injury.
3. Never cut any material over 17mm in diameter.
4. Maintain a firm grip on both handles while cutting with a blade. Keep the blade away from body.
5. Know how to stop the unit quickly in an emergency.
6. Do not use trimmer without front handles in place. Keep both hands on handles when the unit is in use.
7. If hedge trimmer is equipped with a clipping deflector, do not use the clipping deflector as a gripping surface.
8. Disconnect Hedge Trimmer - Disconnect the plug from power source before making any adjustments, changing accessories, storing the hedge trimmer, or before servicing.
9. Such preventive safety measures reduce the risk of starting the product accidentally.
10. Service on the product must be performed by qualified repair personnel only. Service or maintenance performed by unqualified personnel could result in injury to the user or damage to the product.
11. If the power supply cord is damaged, it must be replaced only by the manufacturer or by an authorized service center to avoid risk.
12. Keep all parts of the body away from the cutter blade. Do not remove cut material or hold material to be cut when blades are moving. Make sure the switch is off when clearing jammed material. A moment of inattention while operating the hedge trimmer may result in serious personal injury.

13. Carry the hedge trimmer by the handle with the cutter blade stopped. When transporting or storing the hedge trimmer always fit the cutting device cover. Proper handling of the hedge trimmer will reduce possible personal injury from the cutter blades.
14. Save these instructions. Refer to them frequently and use them to instruct others who may use this tool. If you loan someone this tool, loan them these instructions also to prevent misuse of the product and possible injury.

DESCRIPTION

1. Safe guard
2. Front handle
3. Hand safety switch
4. Rear handle
5. Cord guard
6. Blade
7. Switch trigger
8. Cable strain relief
9. Opening
10. Extension cord (not included)

SPECIFICATIONS

Voltage	230V~50Hz
Power input	500W
No load speed	1650min ⁻¹
Cutting length	410mm
Max. cutting capacity	17mm
Net weight	2.8kg

ACCESSORIES

- Safety guard: 1 pc
- Blade cover: 1 pc

OPERATION

CONNECTING TO POWER SUPPLY (Fig. 1)

This product is designed with a cable strain relief (8) that prevents the extension cord from being pulled loose while using.

1. Form a loop with the end of the extension cord.
2. Insert loop portion of extension cord through opening (9) in the bottom of the rear handle and place over cable strain relief.
3. Slowly pull loop against cord retainer until the slack is removed.
4. Plug product into extension cord.

NOTE:

Failure to remove all excess cord slack from extension cord retainer could result in plug loosening from receptacle.

HOLDING THE TRIMMER

Before operating the trimmer, stand in the operating position, and check the following.

1. Proper clothing as well as safety eye and ear protection is worn.

2. The unit is held firmly with both hands. The right arm is slightly bent and is holding the rear handle (4), and the left arm is straight and is holding the front handle (2).
3. Make sure you have a safe footing and hold the garden trimmer so that the cutting blades always clear of your body.

STARTING AND STOPPING (Fig. 2)

1. To start the tool, squeeze the hand safety switch (3) and switch trigger (7) simultaneously.
2. Release either switch to stop the tool.

CUTTING**DANGER!**

Never cut near electric cords or lines. If blade jams on any electrical cord or line, **DO NOT TOUCH THE BLADE! IT CAN BECOME ELECTRICALLY LIVE AND VERY DANGEROUS.** Continue to hold the hedge trimmer by the insulated rear handle or lay it down and away from you in a safe manner. Disconnect the electrical service to the damaged line or cord before attempting to free the blade from the line or cord. Contact with the blade, other conductive parts of the hedge trimmer, or live electric cords or lines will result in death by electrocution or serious injury.

WARNING!

Always keep both hands on the hedge trimmer handles. Never hold shrubs with one hand and operate hedge trimmer with the other. Improper handling of hedge trimmer could result in serious injury.

WARNING!

Clear the area to be cut before each use. Remove all objects such as cords, lights, wire, or loose string which can become entangled in the cutting blade and create a risk of electric shock and serious personal injury.

CUTTING SEQUENCE

When trimming new growth, use wide sweeping action so that the stems are fed directly into the blade. Do not try to cut branches that are thicker than 10mm or those obviously too large to feed into the blade. Use looping shears, a hand saw or pruning saw to cut out thick branches first. If a radical cut is necessary, cut a little at a time in several passes. Cut both sides of the hedge first and then the top.

CUTTING TECHNIQUES**Horizontal cut (Fig. 3)**

Hold the trimmer with the blade tilted 5-10 degrees to your cutting object makes the operation easier and assures a better cutting.

Vertical cut (Fig. 4)

Start trimming at the bottom and sweep up for even cutting.

Swing the blades in an arc towards the outsides of the hedge so that the cuttings are swept on the ground.

MAINTENANCE**WARNING!**

When servicing, use only identical replacement parts. Use of any other parts can create a hazard or cause product damage.

WARNING!

Before inspecting, cleaning, or servicing the machine, disconnect the plug from power source and wait for all moving parts to stop. Failure to follow these instructions can result in serious personal injury or property damage.

LUBRICATING THE BLADE (Fig. 5)

For easier operation and longer blade life, lubricate the hedge trimmer blade before and after each use.

1. Stop the motor and disconnect from power supply.
2. Lay the hedge trimmer on a flat surface. Apply light weight machine oil along the edge of the top blade. If you will be using the hedge trimmer for an extended period, it is advisable to oil the blade during use.

NOTE:

Do not oil while the hedge trimmer is running.

SHARPENING THE BLADE

The blade must be re-sharpened if cutting performance and behavior begin to deteriorate (i.e. if blades frequently snag on branches).

1. Stop the motor and disconnect from power supply, and clamp the blade in a vice.
2. File the exposed cutting surface of each blade tooth with a smooth round file. Be sure to retain the original angle of tooth when filing.
3. Remove the blade from the vise, and restart it and stop it so that unshaped edges of the blade teeth are exposed.
4. Disconnect the trimmer from the power supply and repeat the sharpening procedure if necessary.

WARNING!

Before inspecting, cleaning, or servicing the machine, disconnect the plug from power source and wait for all moving parts to stop. Failure to follow these instructions can result in serious personal injury or property damage.

CLEANING THE HEDGE TRIMMER

1. Stop the motor and disconnect from power supply.
2. Clean dirt and debris from the body of the hedge trimmer, using a damp cloth with a mild detergent.

NOTE:

Do not use any strong detergents on the plastic housing or the handle. They can be damaged by certain aromatic oils such as pine and lemon, and by solvents such as kerosene.

TRANSPORTING AND STORING

1. Always place the blade cover on the blade before storing or transporting the hedge trimmer. Use caution to avoid the sharp teeth of the blade.
2. Clean the hedge trimmer thoroughly before storing. Store the hedge trimmer indoors, in a dry place that is inaccessible to children. Keep away from corrosive agents such as garden chemicals and de-icing salts.

— NOTE —

RYOBI POWER EQUIPMENT WARRANTY

Subject to the warranty conditions below, this RYOBI tool (hereinafter called "the Product"), is warranted by Ryobi (herein called "the Company") to be free from defects in material or workmanship for a period of 24 months from the date of original purchase covering both parts and labour. Under the terms of this warranty, the repair or replacement of any part shall be the opinion of the Company or its authorised agent. Should service become necessary during the warranty period, the owner should contact the authorised Ryobi retailer from whom the product was purchased, or the nearest Company branch office. In order to obtain warranty service, the owner must include the Sales Docket and Warranty Certificate to confirm date of purchase. This Product is sold by the dealer or agent as principal and the dealer has no authority from the Company to give any additional warranty or guarantee on the Company's behalf except as herein contained or herein referred to.

Warranty Conditions

This warranty only applies provided that the Product has been used in accordance with the manufacturer's recommendations under normal use and reasonable care (in the opinion of the Company) and such warranty does not cover consumable components, damage, malfunction or failure resulting from

misuse, neglect, abuse, or used for a purpose for which it was not designed, or is not suited and no repairs, alterations or modifications have been attempted by other than an Authorised Service Agent. This guarantee will not apply if the tool is damaged by accident or if repairs arise from normal wear and tear.

Accessories such as bits, blades, sanding discs, cutting lines, etc., are excluded from this guarantee. Normal consumable parts, such as carbon brushes, bearings, chucks, cord assembly's, spark plugs, recoil pulleys and bump head assembly's are specifically excluded from this guarantee.

The Company accepts no additional liability pursuant to this warranty for the costs of traveling or transportation of the Product or parts to and from the service dealer or agent - which costs are not included in the warranty.

Nothing herein shall have the effect of excluding, restricting or modifying any conditions, warranty, right or liability imposed, to the extent only that such exclusion, restriction or modification would render any term herein void.



STEVENS & CO (Pty) Ltd
604, 16th Street, Randjespark
Midrand, South Africa

P O Box 4059
HALFWAY HOUSE
1685, South Africa

Tel: +27 (11) 357-9600
Fax: +27 (11) 805-5541
email: stevens@ryobi.co.za

THIS WARRANTY FORM SHOULD BE RETAINED BY THE CUSTOMER AT ALL TIMES.

For your record and to assist in establishing date of purchase (necessary for in-warranty service), please keep your purchase docket and this form, completed with the following particulars.

PURCHASED FROM:.....

ADDRESS OF DEALER:.....

DATE:..... MODEL NO..... SERIAL NO.....

Present this form with your Purchase Docket when Warranty Service is required.