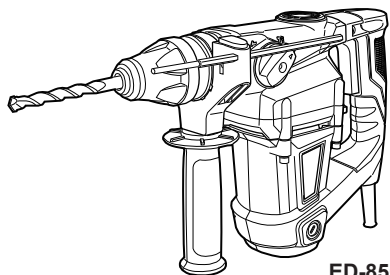


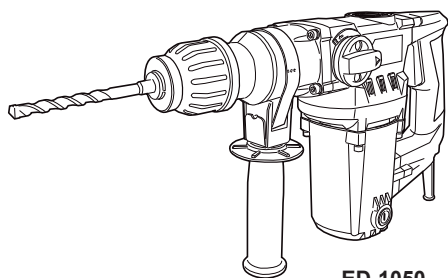
RYOBI®

ED-850, ED-1050, RH-1432

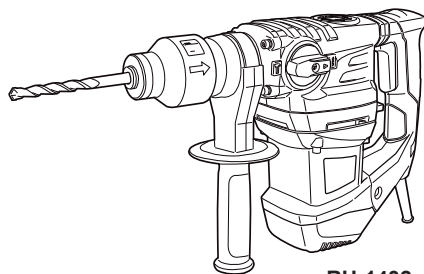
GB OWNER'S OPERATING MANUAL



ED-850

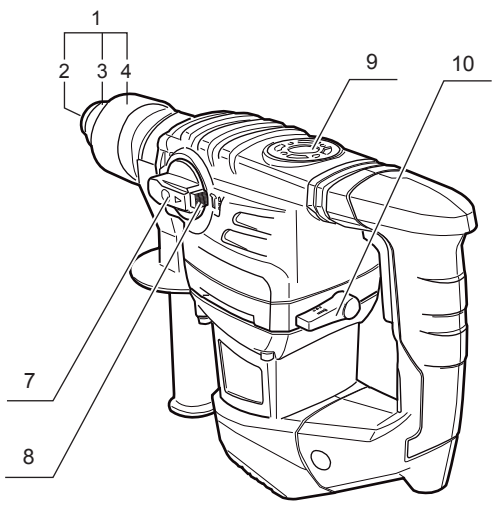
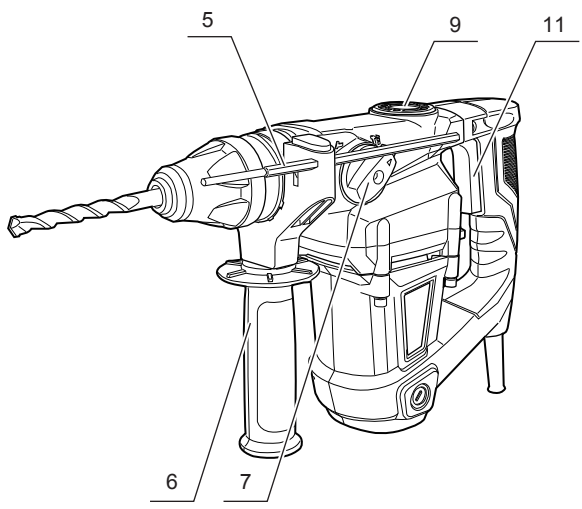


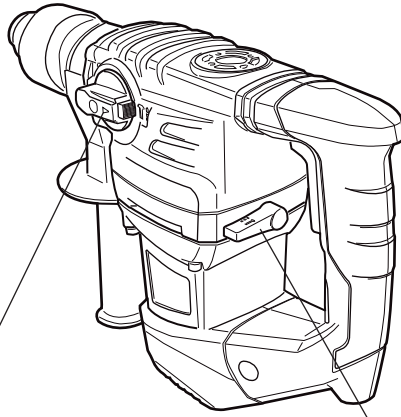
ED-1050



RH-1432







Mode selector A

Mode selector B

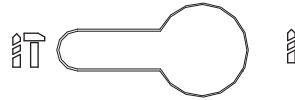
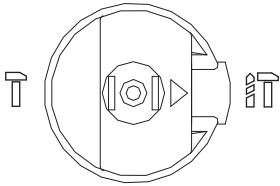


Fig. 1

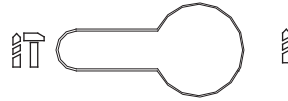
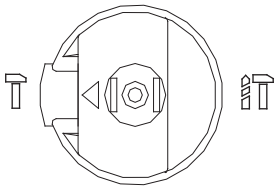


Fig. 2

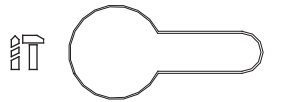
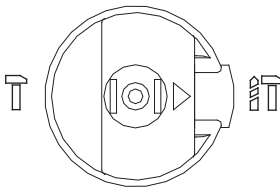


Fig. 3

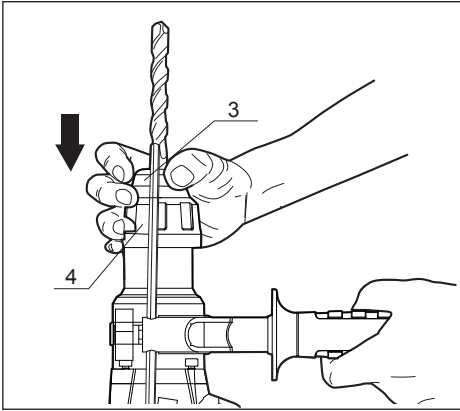


Fig. 4

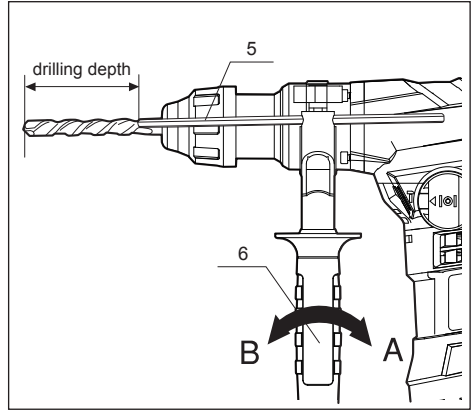


Fig. 5

THANK YOU FOR BUYING A RYOBI PRODUCT.

To ensure your safety and satisfaction, carefully read through this OWNER'S MANUAL before using the product.

General Safety Rules

WARNING! Read all instructions. Failure to follow all instructions listed below may result in electric shock, fire and/or serious injury. The term "power tool" in all of the warnings listed below refers to your mains operated (corded) power tool or battery-operated (cordless) power tool.

SAVE THESE INSTRUCTIONS

1) Work area

- a) **Keep work area clean and well lit.** Cluttered and dark areas invite accidents.
- b) **Do not operate power tools in explosive atmospheres, such as in the presence of flammable liquids, gases or dust.** Power tools create sparks which may ignite the dust or fumes.
- c) **Keep children and bystanders away while operating a power tool.** Distractions can cause you to lose control.

2) Electrical safety

- a) **Power tool plugs must match the outlet. Never modify the plug in any way. Do not use any adapter plugs with earthed (grounded) power tools.** Unmodified plugs and matching outlets will reduce risk of electric shock.
- b) **Avoid body contact with earthed or grounded surfaces such as pipes, radiators, ranges and refrigerators.** There is an increased risk of electric shock if your body is earthed or grounded.
- c) **Do not expose power tools to rain or wet conditions.** Water entering a power tool will increase the risk of electric shock.
- d) **Do not abuse the cord. Never use the cord for carrying, pulling or unplugging the power tool. Keep cord away from heat, oil, sharp edges or moving parts.** Damaged or entangled cords increase the risk of electric shock.
- e) **operating a power tool outdoors, use an extension cord suitable for outdoor use.** Use of a cord suitable for outdoor use reduces the risk of electric shock.

3) Personal safety

- a) **Stay alert, watch what you are doing and use common sense when operating a power tool. Do not use a power tool while you are tired or under the influence of drugs, alcohol or medication.** A moment of inattention while operating power tools may result in serious personal injury.
- b) **Use safety equipment. Always wear eye protection.** Safety equipment such as dust mask, non-skid safety shoes, hard hat, or hearing protection used for appropriate conditions will reduce personal injuries.
- c) **Avoid accidental starting. Ensure the switch is in the OFF position before plugging in.** Carrying power tools with your finger on the switch or plugging in power tools that have the switch on invites accidents.
- d) **Remove any adjusting key or wrench before turning the power tool on.** A wrench or a key left attached to a rotating part of the power tool may result in personal injury.
- e) **Do not overreach. Keep proper footing and balance at all times.** This enables better control of the power tool in unexpected situations.
- f) **Dress properly. Do not wear loose clothing or jewellery. Keep your hair, clothing and gloves away from moving parts.** Loose clothes, jewellery or long hair can be caught in moving parts.
- g) **If devices are provided for the connection of dust extraction and collection facilities, ensure these are connected and properly used.** Use of these devices can reduce dust-related hazards.

4) Power tool use and care

- a) **Do not force the power tool. Use the correct power tool for your application.** The correct power tool will do the job better and safer at the rate for which it was designed.
- b) **Do not use the power tool if the switch does not turn it on and off.** Any power tool that cannot be controlled with the switch is dangerous and must be repaired.
- c) **Disconnect the plug from the power source before making any adjustments, changing accessories, or storing power tools.** Such preventive safety measures reduce the risk of starting the power tool accidentally.
- d) **Store idle power tools out of the reach of children and do not allow persons unfamiliar with the power tool or these instructions to operate the power tool.** Power tools are dangerous in the hands of untrained users.
- e) **Maintain power tools. Check for misalignment or binding of moving parts, breakage of parts and any other condition that may affect the power tools operation. If damaged, have the power tool repaired before use.** Many accidents are caused by poorly maintained power tools.
- f) **Keep cutting tools sharp and clean.** Properly maintained cutting tools with sharp cutting edges are less likely to bind and are easier to control.
- g) **Use the power tool, accessories and tool bits etc., in accordance with these instructions and in the manner intended for the particular type of power tool, taking into account the working conditions and the work to be performed.** Use of the power tool for operations different from those intended could result in a hazardous situation.

5) Service

- a) **Have your power tool serviced by a qualified repair person using only identical replacement parts.** This will ensure that the safety of the power tool is maintained.

Specific Safety Rules

- a) **Wear ear protectors.** Exposure to noise can cause hearing loss.
- b) **Use auxiliary handles supplied with the tool.** Loss of control can cause personal injury.
- c) **Hold power tools by insulated gripping surfaces when performing an operation where the cutting tool may contact hidden wiring or its own cord.** Contact with a "live" wire will make exposed metal parts of the tool "live" and shock the operator.
- d) **Keep hands away from all cutting edges and moving parts.**
- e) **Maintain labels and nameplates.** These carry important information. If unreadable or missing, contact a RYOBI service facility for a free replacement.

WARNING!

Some dust created by power sanding, sawing, grinding, drilling, and other construction activities contains chemicals known to cause cancer, birth defects or other reproductive harm. Some examples of these chemicals are:

1. lead from lead-based paint.
2. crystalline silica from bricks and cement and other masonry products.
3. arsenic and chromium from chemically-treated lumber.

Your risk from these exposures varies, depending on how often you do this type of work. To reduce your exposure to these chemicals: work in a well ventilated area, and work with approved safety equipment, such as those dust masks that are specially designed to filter out microscopic particles.

ROTARY HAMMER SAFETY PRECAUTIONS

1. Mount the bit correctly as described in the operation instructions. Unless properly mounted, the bit may shoot out.
2. Do not use on surfaces covering electrical wiring. Before using on walls, floors or ceilings, check for the location of
3. Hold the tool securely with both hands while operating. The tool may recoil, causing injury to your hands, if not held firmly.
4. Do not touch the bit as it becomes extremely hot during operation.
5. Never point the hammer bit towards any person.

INSTRUCTIONS FOR SAFE HANDLING

1. Make sure that the tool is only connected to the voltage marked on the name plate.
2. Never use the tool if its cover or any bolts are missing. If the cover or bolts have been removed, replace them prior to use. Maintain all parts in good working order.
3. Always secure tools when working in elevated positions.
4. Never touch the blade, drill bit, grinding wheel or other moving parts during use.
5. Never start a tool when its rotating component is in contact with the work piece.
6. Never lay a tool down before its moving parts have come to a complete stop.
7. **ACCESSORIES:** The use of accessories or attachments other than those recommended in this manual might present a hazard.
8. **REPLACEMENT PARTS :** When servicing use only identical replacement parts

DESCRIPTION

1. SDS-plus drill bit holder
2. Tool holder (SDS-plus)
3. Dust protection cap
4. Locking sleeve
5. Depth stop (ED-1050, RH-1432 not included)
6. Auxiliary handle
7. Mode selector A
8. Locking block
9. Oil seal cap
10. Mode selector B
11. On/Off switch

SPECIFICATIONS

	ED-850	ED-1050	RH-1432
Voltage:	230V, 50Hz	230V, 50Hz	230V, 50Hz
Power input:	800W	1050W	1400W
No load speed:	900min ⁻¹	920min ⁻¹	850min ⁻¹
Impact rate:	4400bpm	4500bpm	4150bpm
Impact energy:	3.5J	4.5J	6J
Drill capacities:			
steel:	13mm	13mm	13mm
concrete:	26mm	26mm	32mm
wood:	40mm	42mm	42mm
Shank type:	SDS-plus	SDS-plus	SDS-plus
Net weight:	3.4kg	4.6kg	5.4kg

STANDARD ACCESSORIES

Drill bits: (8, 10, 12)x150mm; Point chisel: 14x250mm; Flat chisel

APPLICATIONS

(Use only for the purposes listed below.)

1. Drilling concrete.
2. Crushing, chipping, grooving and cornering concrete.
3. Starting holes and driving anchors.

SWITCH

This tool is started and stopped by squeezing and releasing the On/Off switch (11)

CHANGING THE ACTION MODE (Fig. 1, 2, 3)

WARNING!

When switching operation modes. Please trigger ON/OFF switch slightly.

ROTARY HAMMERING MODE (Fig. 1)

Turn the mode selector A (7) to "  ", and turn mode selector B (10) to the "  " direction.

HAMMERING MODE (Fig. 2)

Turn the mode selector A (7) to "  ", and turn mode selector B (10) to the "  " direction.

DRILLING MODE (Fig. 3)

Turn the mode selector A (7) to "  ", and turn mode selector B (10) to the "  " direction.

MOUNTING AND REMOVING THE BIT (Fig.4)

MAKE SURE THAT THE TOOL IS DISCONNECTED FROM THE POWER SUPPLY.

ONLY USE ACCESSORIES WITH CLEAN, GREASED INSERTION ENDS.

MOUNTING

1. Push the locking sleeve (4) toward the drill body and hold.
2. Insert the bit in a twisting manner into the dust protection cap (3) until latches itself.
3. Release the locking sleeve and pull the bit to ensure that it is secured.

REMOVING

1. Push the tool sleeve toward the drill body and hold.
2. Remove the bit from the front cap.

DUST PROTECTION CAP

When drilling upward, push dust protection cap over the drill, with the open side showing towards the end of the bit. Empty as often as is required, and push over the drill again.

The dust protection cap largely prevents the entry of drilling dust into the tool holder during operation. When inserting the tool, take care that the dust protection cap is not damaged.

AUXILIARY HANDLE AND DEPTH STOP (Fig. 5)

Auxiliary handle

The auxiliary handle (6) can be rotated 360°. Loosen the handle grip by turning in direction B, and tighten it at an easy-to-use position by turning the grip in direction A.

Depth stop (ED-1050, RH-1432 not included)

By using the depth stop (5), holes of a fixed depth can be accurately bored.

The depth of the hole will be the distance from the end of the bit to the end of the depth stop.

NOTE: The drilling depth is the distance between the tip of the bit and the tip of the depth rod.



MAINTENANCE

1. For safe and proper working, always keep the machine and ventilation slots clean.
2. A damaged dust protection cap should be changed immediately. We recommend having this carried out by an after-sales service.
3. Approximately every 10 hours of operation, please check the grease reservoir as follow steps:
 - a) Lift the tap of oil seal cap (9), loosen the cap counter clockwise with fingers to open the grease reservoir.
 - b) Remove the corresponding amount of grease from container and press it into the reservoir.
 - c) Replace the oil seal cap to the grease reservoir and secure it by turning clockwise.
4. Worn carbon brushes are to be replaced only by a specialist workshop. It is recommended that you take this tool to a Ryobi Authorized Service Center for a through cleaning and lubrication at least once a year.

It is recommended that you take this tool to a Ryobi Authorized Service Center for a through cleaning and lubrication at least once a year.

DO NOT MAKE ANY ADJUSTMENTS WHILE THE MOTOR IS IN MOTION.

ALWAYS DISCONNECT THE POWER CORD FROM THE RECEPTACLE BEFORE CHANGING REMOVABLE OR EXPENDABLE PARTS (BLADE, BIT, SANDING PAPER ETC.), LUBRICATING OR WORKING ON THE UNT.

CAUTION!
USE ONLY THE GREASE APPROVED BY RYOBI FOR THE PRODUCT. OTHER GREASE CAN BE DAMAGE YOUR PRODUCT.

WARNING!
To ensure safety and reliability, all repairs should be performed by an **AUTHORIZED SERVICE CENTER** or other **QUALIFIED SERVICE ORGANIZATION**.

SAVE THESE INSTRUCTIONS FOR FUTURE REFERENCE.

RYOBI POWER EQUIPMENT WARRANTY

Subject to the warranty conditions below, this RYOBI tool (hereinafter called "the Product"), is warranted by Ryobi (herein called "the Company") to be free from defects in material or workmanship for a period of 24 months from the date of original purchase covering both parts and labour. Under the terms of this warranty, the repair or replacement of any part shall be the opinion of the Company or its authorised agent. Should service become necessary during the warranty period, the owner should contact the authorised Ryobi retailer from whom the product was purchased, or the nearest Company branch office. In order to obtain warranty service, the owner must include the Sales Docket and Warranty Certificate to confirm date of purchase. This Product is sold by the dealer or agent as principal and the dealer has no authority from the Company to give any additional warranty or guarantee on the Company's behalf except as herein contained or herein referred to.

Warranty Conditions

This warranty only applies provided that the Product has been used in accordance with the manufacturer's recommendations under normal use and reasonable care (in the opinion of the Company) and such warranty does not cover consumable components, damage, malfunction or failure resulting from

misuse, neglect, abuse, or used for a purpose for which it was not designed, or is not suited and no repairs, alterations or modifications have been attempted by other than an Authorised Service Agent. This guarantee will not apply if the tool is damaged by accident or if repairs arise from normal wear and tear.

Accessories such as bits, blades, sanding discs, cutting lines, etc., are excluded from this guarantee. Normal consumable parts, such as carbon brushes, bearings, chucks, cord assembly's, spark plugs, recoil pulleys and bump head assembly's are specifically excluded from this guarantee.

The Company accepts no additional liability pursuant to this warranty for the costs of traveling or transportation of the Product or parts to and from the service dealer or agent - which costs are not included in the warranty.

Nothing herein shall have the effect of excluding, restricting or modifying any conditions, warranty, right or liability imposed, to the extent only that such exclusion, restriction or modification would render any term herein void.

RYOBI®

STEVENS & CO (Pty) Ltd
604, 16th Street, Randjespark
Midrand, South Africa

P O Box 4059
HALFWAY HOUSE
1685, South Africa

Tel: +27 (11) 357-9600
Fax: +27 (11) 805-5541
email: stevens@ryobi.co.za

THIS WARRANTY FORM SHOULD BE RETAINED BY THE CUSTOMER AT ALL TIMES.

For your record and to assist in establishing date of purchase (necessary for in-warranty service), please keep your purchase docket and this form, completed with the following particulars.

PURCHASED FROM:.....

ADDRESS OF DEALER:.....

DATE:..... MODEL NO..... SERIAL NO.....

Present this form with your Purchase Docket when Warranty Service is required.