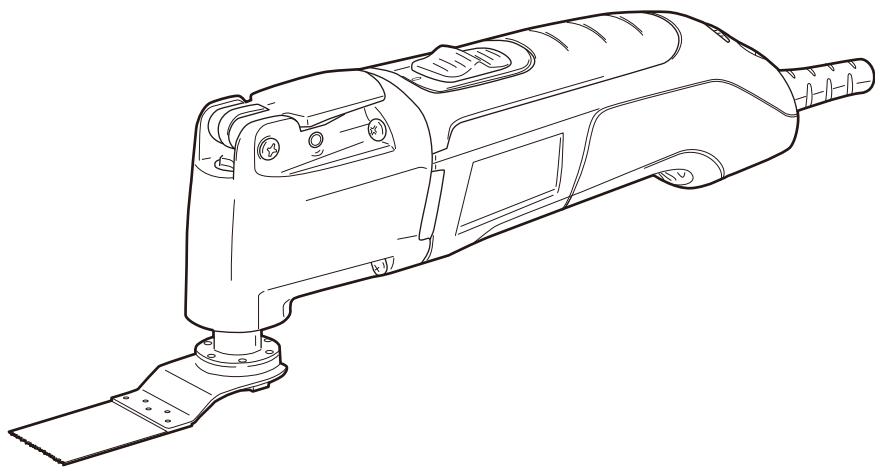
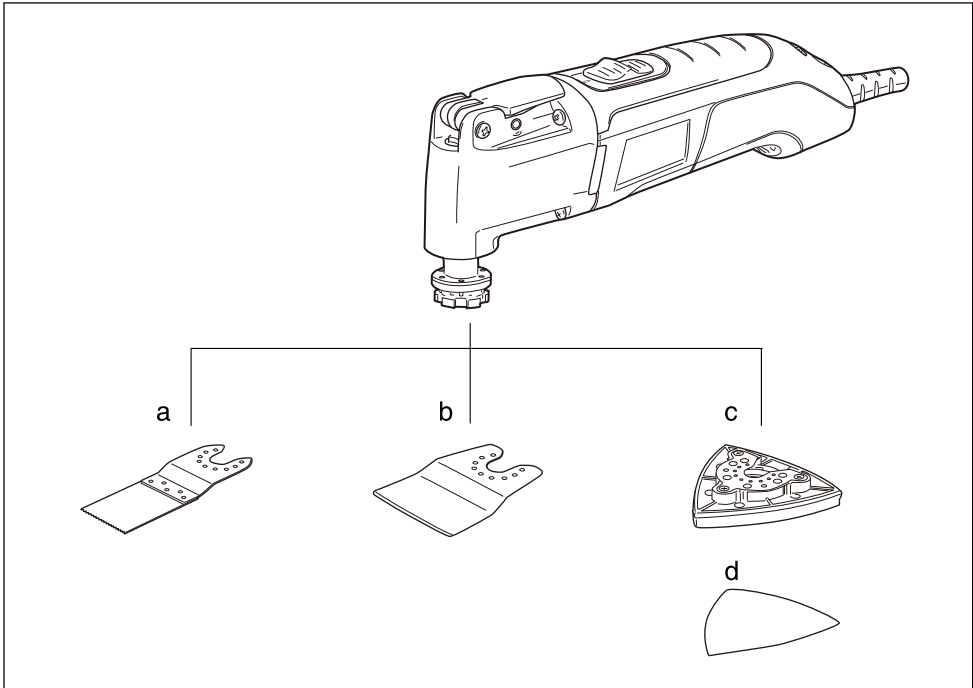
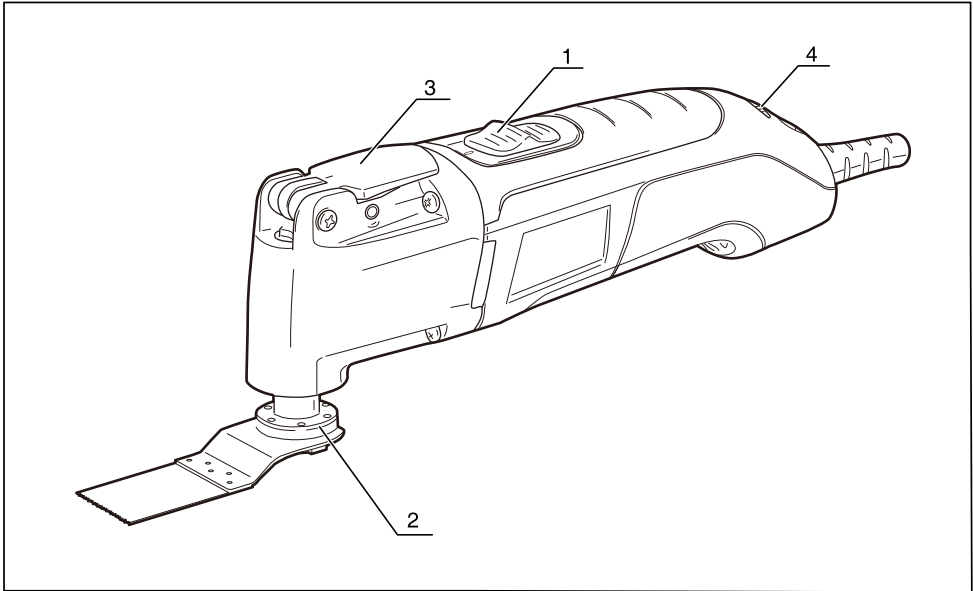


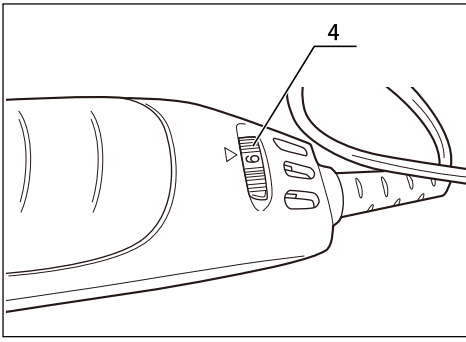
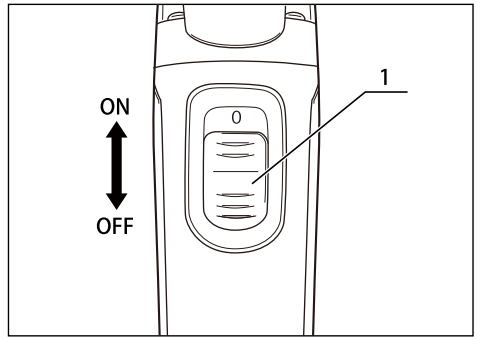
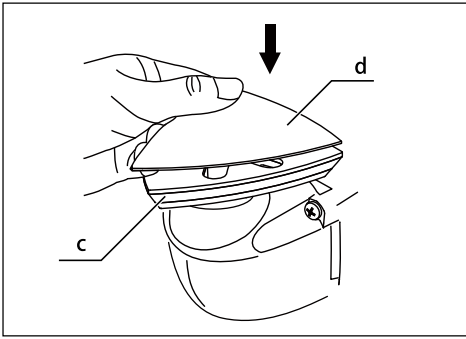
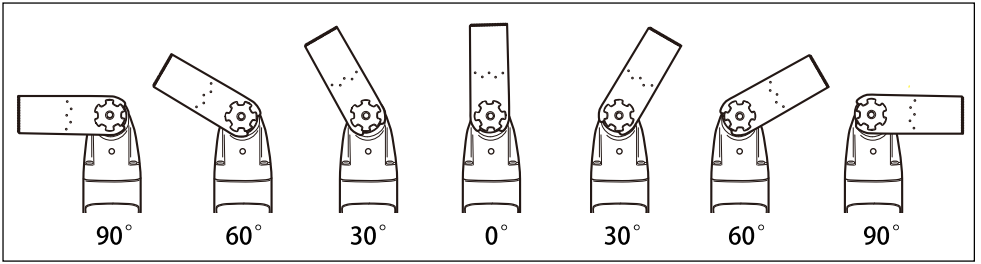
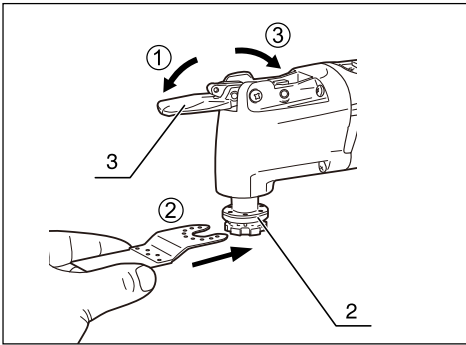
# RYOBI®

## MP-300

Ⓒ OWNER'S OPERATING MANUAL







**THANK YOU FOR BUYING A RYOBI PRODUCT.**

To ensure your safety and satisfaction, carefully read through this OWNER'S MANUAL before using the product.

**General Safety Rules**

**WARNING!** Read all instructions. Failure to follow all instructions listed below may result in electric shock, fire and/or serious injury. The term "power tool" in all of the warnings listed below refers to your mains-operated (corded) power tool or battery-operated (cordless) power tool.

**SAVE THESE INSTRUCTIONS****1) Work area**

- a) **Keep work area clean and well lit.** Cluttered and dark areas invite accidents.
- b) **Do not operate power tools in explosive atmospheres, such as in the presence of flammable liquids, gases or dust.** Power tools create sparks which may ignite the dust or fumes.
- c) **Keep children and bystanders away while operating a power tool.** Distractions can cause you to lose control.

**2) Electrical safety**

- a) **Power tool plugs must match the outlet. Never modify the plug in any way. Do not use any adapter plugs with earthed (grounded) power tools.** Unmodified plugs and matching outlets will reduce risk of electric shock.
- b) **Avoid body contact with earthed or grounded surfaces such as pipes, radiators, ranges and refrigerators.** There is an increased risk of electric shock if your body is earthed or grounded.
- c) **Do not expose power tools to rain or wet conditions.** Water entering a power tool will increase the risk of electric shock.
- d) **Do not abuse the cord. Never use the cord for carrying, pulling or unplugging the power tool. Keep cord away from heat, oil, sharp edges or moving parts.** Damaged or entangled cords increase the risk of electric shock.
- e) **When operating a power tool outdoors, use an extension cord suitable for outdoor use.** Use of a cord suitable for outdoor use reduces the risk of electric shock.

**3) Personal safety**

- a) **Stay alert, watch what you are doing and use common sense when operating a power tool. Do not use a power tool while you are tired or under the influence of drugs, alcohol or medication.** A moment of inattention while operating power tools may result in serious personal injury.
- b) **Use safety equipment. Always wear eye protection.** Safety equipment such as dust mask, non-skid safety shoes, hard hat, or hearing protection used for appropriate conditions will reduce personal injuries.
- c) **Avoid accidental starting. Ensure the switch is in the off-position before plugging in.** Carrying power tools with your finger on the switch or plugging in power tools that have the switch on invites accidents.
- d) **Remove any adjusting key or wrench before turning the power tool on.** A wrench or a key left attached to a rotating part of the power tool may result in personal injury.
- e) **Do not overreach. Keep proper footing and balance at all times.** This enables better control of the power tool in unexpected situations.
- f) **Dress properly. Do not wear loose clothing or jewelry. Keep your hair, clothing and gloves away from moving parts.** Loose clothes, jewellery or long hair can be caught in moving parts.
- g) **If devices are provided for the connection of dust extraction and collection facilities, ensure these are connected and properly used.** Use of these devices can reduce dust-related hazards.

**4) Power tool use and care**

- a) **Do not force the power tool. Use the correct power tool for your application.** The correct power tool will do the job better and safer at the rate for which it was designed.
- b) **Do not use the power tool if the switch does not turn it on and off.** Any power tool that cannot be controlled with the switch is dangerous and must be repaired.
- c) **Disconnect the plug from the power source and/or the battery pack from the power tool before making any adjustments, changing accessories, or storing power tools.** Such preventive safety measures reduce the risk of starting the power tool accidentally.
- d) **Store idle power tools out of the reach of children and do not allow persons unfamiliar with the power tool or these instructions to operate the power tool.** Power tools are dangerous in the hands of untrained users.
- e) **Maintain power tools. Check for misalignment or binding of moving parts, breakage of parts and any other condition that may affect the power tools operation. If damaged, have the power tool repaired before use.** Many accidents are caused by poorly maintained power tools.
- f) **Keep cutting tools sharp and clean.** Properly maintained cutting tools with sharp cutting edges are less likely to bind and are easier to control.
- g) **Use the power tool, accessories and tool bits etc., in accordance with these instructions and in the manner intended for the particular type of power tool, taking into account the working conditions and the work to be performed.** Use of the power tool for operations different from those intended could result in a hazardous situation.

**5) Service**

- a) **Have your power tool serviced by a qualified repair person using only identical replacement parts.** This will ensure that the safety of the power tool is maintained.

**MULTI PURPOSE TOOL SAFETY PRECAUTION**

**WARNING: DO NOT LET COMFORT OR FAMILIARITY WITH PRODUCT**

**(GAINED FROM REPEATED USE) REPLACE STRICT ADHERENCE TO PRODUCT SAFETY RULES.**

If you use this tool unsafely or incorrectly, you can suffer serious personal injury!

**WARNING: Hold tool by insulated gripping surfaces when performing an operation where cutting tools may contact hidden wiring or its own cord. Contact with a "live" wire will make exposed metal parts of the tool "live" and shock the operator!**

- Always wear safety glasses or goggles. Normal prescription eye or sunglasses are not safety glasses.
- Hold the Oscillating Tool by its insulated gripping surfaces to avoid electrical shock from unseen "live" wires.
- Always hold the tool firmly. Do not leave the tool running unless hand held.
- Check your work area for proper clearances before cutting. This will avoid cutting into your workbench, the floor, etc.
- Do not cut nails or screws unless you are using a blade specifically designed for this purpose. Inspect your material before cutting.
- Before switching on the tool, be sure the blade is not contacting the work piece.
- Do not use tool if switch does not turn it on or off. Any tool which can not be controlled by the switch is dangerous and must be repaired.
- Wear cushioned protective gloves to minimize the vibration. Excessive vibration may cause personal injury.
- Do not wet-sand with this tool. Water or moisture entering the motor housing can cause electric shock and serious personal injury.
- Always be sure that the tool is switched off and unplugged before adjusting, adding accessories, or checking a function on the tool.



## WARNING: USE OF THIS TOOL CAN GENERATE AND DISBURSE DUST OR OTHER AIRBORNE PARTICLES, INCLUDING WOOD DUST, CRYSTALLINE SILICA DUST AND ASBESTOS.

Direct particles avoid from face and body. Always operate tool in a well-ventilated area and provide for proper dust removal. Use dust collection system wherever possible.

Exposure to the dust may cause serious and permanent respiratory or other injury, including silicosis (a serious lung disease), cancer, and death. Avoid breathing the dust, and avoid prolonged contact with the dust. Allowing dust to get into your mouth or eyes, or lay on your skin may promote absorption of harmful material. Always use properly fitting respiratory protection appropriate for dust exposure, and wash exposed areas with soap and water.

## INSTRUCTIONS FOR SAFE HANDLING

1. Make sure that the tool is only connected to the voltage marked on the name plate.
2. Never use the tool if its cover or any bolts are missing. If the cover or bolts have been removed, replace them prior to use. Maintain all parts in good working order.
3. Always secure tools when working in elevated positions.
4. Never touch the blade, drill bit, grinding wheel or other moving parts during use.
5. Never start a tool when its rotating component is in contact with the workpiece.
6. Never lay a tool down before its moving parts have come to a complete stop.
7. **ACCESSORIES** : The use of accessories or attachments other than those recommended in these instructions might present a hazard.
8. **REPLACEMENT PARTS** : When servicing use only identical replacement parts.

## DESCRIPTION

1. ON-OFF switch
2. Clamping flange
3. Quick clamp lever
4. Speed adjust dial

## STANDARD ACCESSORIES

HCS Plunge cut saw blade (32mm), Rigid scraper blade, Sanding base plate, Sandpaper (#60, #80).

## SPECIFICATIONS

Input	300W
No load oscillating rate	15,000 ~ 22,000min <sup>-1</sup>
Oscillating angle	3°
Net weight	1.4kg

## APPLICATIONS

1. Cutting wood, plastic, drywall and other soft materials
2. Detail sanding on bare or painted wood, plaster and other surface
3. Scraping paint, varnish, bonded materials, etc.

	Accessory	Material
a	HCS Plunge cut saw blade (32mm)	Wooden materials, plastics, soft metals
b	Rigid scraper blade	Paint, vinyl, varnish and bonded material
c	Sanding base plate	Depends on sanding paper
d	Sandpaper (#60, #80)	Bare or painted wood, plaster, and other surfaces, depending on sandpaper grit

## ASSEMBLY AND ADJUSTMENT

**WARNING:** Always be sure that the tool is switched off and unplugged before adjusting, attaching accessories, or checking a function on the tool.

## ATTACHING THE SAW BLADE AND SCRAPING BLADE (Fig. 1)

1. Lift up the quick clamp lever (3) completely to unlock the clamping mechanism.
2. Place the accessory on the clamping flange (2) which has 6 positioning pins. Make sure the holes on the accessory properly engage those 6 pins and the accessory is flush against the shaft flange.
3. Push the quick clamp lever back to the original position to securely lock the blade in place.

**NOTE:** Attach the accessory at the desired orientation for the task at hand. The shaft is configured so that the accessory can be attached every 30° around the shaft. (Fig.2)

## ATTACHING THE SANDPAPER (Fig. 1, Fig. 3)

1. Lift up the quick clamp lever (3) completely to unlock the clamping mechanism.
2. Place the sanding pad on the clamping flange which has 6 positioning pins, and make sure the holes on the sanding pad properly engage those 6 pins.
3. Push the quick clamp lever back to the original position to securely lock the sanding pad in place.
4. Align the sandpaper with the sanding pad and use your hand to press it firmly on the sanding pad.

**NOTE:** For maximum sandpaper life, rotate the pad or sandpaper 120 degrees when tip of sandpaper becomes worn.

## OPERATION

### SWITCH(Fig. 4)

To start the tool, slide the switch forward to position "I".

To stop the tool, slide the switch back to position "O".

### ADJUSTING SPEED (Fig. 5)

This tool operates at speeds in the range of 15,000 - 22,000min<sup>-1</sup>.

The speed adjust dial (4) permits adjustments while the tool is running and allows operation at desired speed.

### CUTTING

Saw blades are ideal for making precise cuts in tight areas, close to edges or flush to a surface. Select a medium to high speed for making the initial plunge; start off at medium speed for increased control. After making your initial cut, you can increase speed for faster cutting ability.

Plunge cutting blades are intended to make precise cuts to allow for installation of flooring or wall material. When plunge cutting, it is important not to force the tool. If you experience a strong vibration in your hand during the plunge cut, this indicates that you are applying too much pressure. Back the tool out and let the speed of the tool do the work. While keeping the teeth of the blade in the work surface, move the back of the tool in a slow sideways motion. This motion will help expedite the cut.

The Segmented saw blade (option) is ideal for making precise cuts in wood, plaster, drywall material.

Applications include cutting openings in flooring for venting, repairing damaged flooring, cutting openings for electrical boxes. The blade works best on softer woods such as pine. For harder woods, the blade life will be limited.

Select a medium to high speed.

### SCRAPING

Scrapers are suitable for removing old coats of varnish or adhesives, removing bonded carpeting, e.g., on stairs/steps and others small/medium size surfaces.

Select low to medium speed.

Excessive pressure can gouge or damage the background surfaces (e.g., wood, plaster).

### SANDING

Sanding accessories are suitable for the dry sanding of wood, metal, surfaces, corners and edges and hard to reach areas. Work with the complete surface of the sanding pad, not only with the tip. Sand with a continuous motion and light pressure. DO NOT apply excessive pressure. Excessive pressure will result in poor handling, vibration, and unwanted sanding marks and premature wear on the sanding sheet.

The following suggestions may be used as a general guide for abrasive selection, but the best results will be obtained by sanding a test sample of the work piece first.

Grit	Application
Coarse	For rough wood or metal sanding, and rust or old finish removal.
Medium	For general wood or metal sanding
Fine	For final finishing of wood, metal, plaster and other surfaces.

## MAINTENANCE

After use, check the tool to make sure that it is in top condition. It is recommended that you take this tool to a Ryobi Authorized Service Center for a through cleaning and lubrication at least once a year.

**DO NOT MAKE ANY ADJUSTMENTS WHILE THE MOTOR IS IN MOTION.**

**ALWAYS DISCONNECT THE POWER CORD FROM THE RECEPTACLE BEFORE CHANGING REMOVABLE OR EXPENDABLE PARTS (BLADE, BIT, SANDING PAPER ETC.), LUBRICATING OR WORKING ON THE UNIT.**

### WARNING!

**To ensure safety and reliability, all repairs should be performed by an AUTHORIZED SERVICE CENTER or other QUALIFIED SERVICE ORGANIZATION.**

**SAVE THESE INSTRUCTIONS FOR FUTURE REFERENCE.**

— NOTE —

## RYOBI POWER EQUIPMENT WARRANTY

Subject to the warranty conditions below, this RYOBI tool (hereinafter called "the Product"), is warranted by Ryobi (herein called "the Company") to be free from defects in material or workmanship for a period of 24 months from the date of original purchase covering both parts and labour. Under the terms of this warranty, the repair or replacement of any part shall be the opinion of the Company or its authorised agent. Should service become necessary during the warranty period, the owner should contact the authorised Ryobi retailer from whom the product was purchased, or the nearest Company branch office. In order to obtain warranty service, the owner must include the Sales Docket and Warranty Certificate to confirm date of purchase. This Product is sold by the dealer or agent as principal and the dealer has no authority from the Company to give any additional warranty or guarantee on the Company's behalf except as herein contained or herein referred to.

### Warranty Conditions

This warranty only applies provided that the Product has been used in accordance with the manufacturer's recommendations under normal use and reasonable care (in the opinion of the Company) and such warranty does not cover consumable components, damage, malfunction or failure resulting from

misuse, neglect, abuse, or used for a purpose for which it was not designed, or is not suited and no repairs, alterations or modifications have been attempted by other than an Authorised Service Agent. This guarantee will not apply if the tool is damaged by accident or if repairs arise from normal wear and tear.

Accessories such as bits, blades, sanding discs, cutting lines, etc., are excluded from this guarantee. Normal consumable parts, such as carbon brushes, bearings, chucks, cord assembly's, spark plugs, recoil pulleys and bump head assembly's are specifically excluded from this guarantee.

The Company accepts no additional liability pursuant to this warranty for the costs of traveling or transportation of the Product or parts to and from the service dealer or agent - which costs are not included in the warranty.

Nothing herein shall have the effect of excluding, restricting or modifying any conditions, warranty, right or liability imposed, to the extent only that such exclusion, restriction or modification would render any term herein void.



**STEVENS & CO (Pty) Ltd**  
604, 16th Street, Randjespark  
Midrand, South Africa

P O Box 4059  
HALFWAY HOUSE  
1685, South Africa

Tel: +27 (11) 357-9600  
Fax: +27 (11) 805-5541  
email: [stevens@ryobi.co.za](mailto:stevens@ryobi.co.za)

### THIS WARRANTY FORM SHOULD BE RETAINED BY THE CUSTOMER AT ALL TIMES.

For your record and to assist in establishing date of purchase (necessary for in-warranty service), please keep your purchase docket and this form, completed with the following particulars.

PURCHASED FROM:.....

ADDRESS OF DEALER:.....

DATE:..... MODEL NO..... SERIAL NO.....

Present this form with your Purchase Docket when Warranty Service is required.