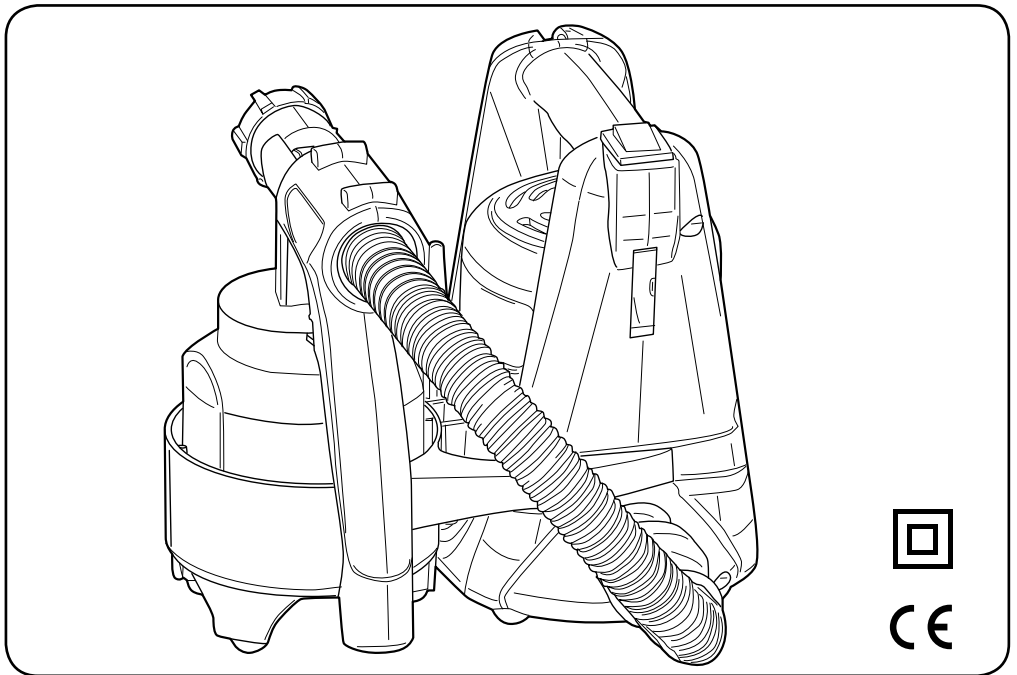


RYOBI®

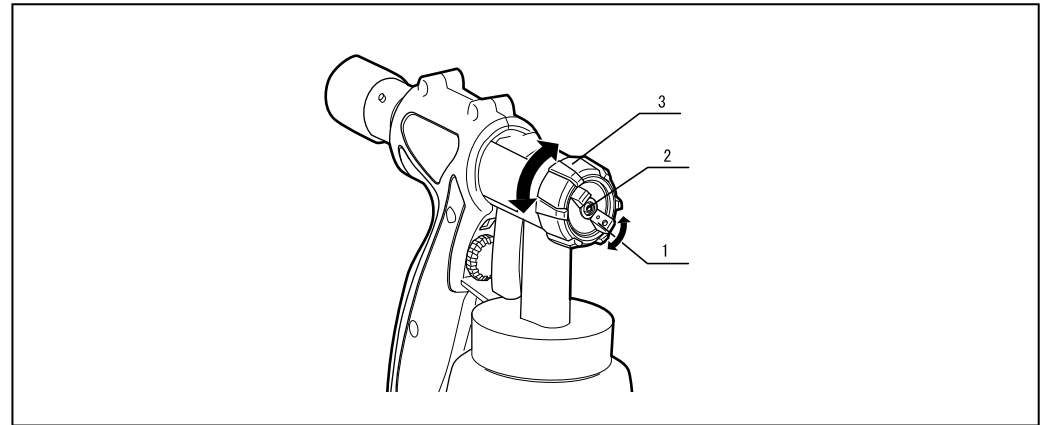
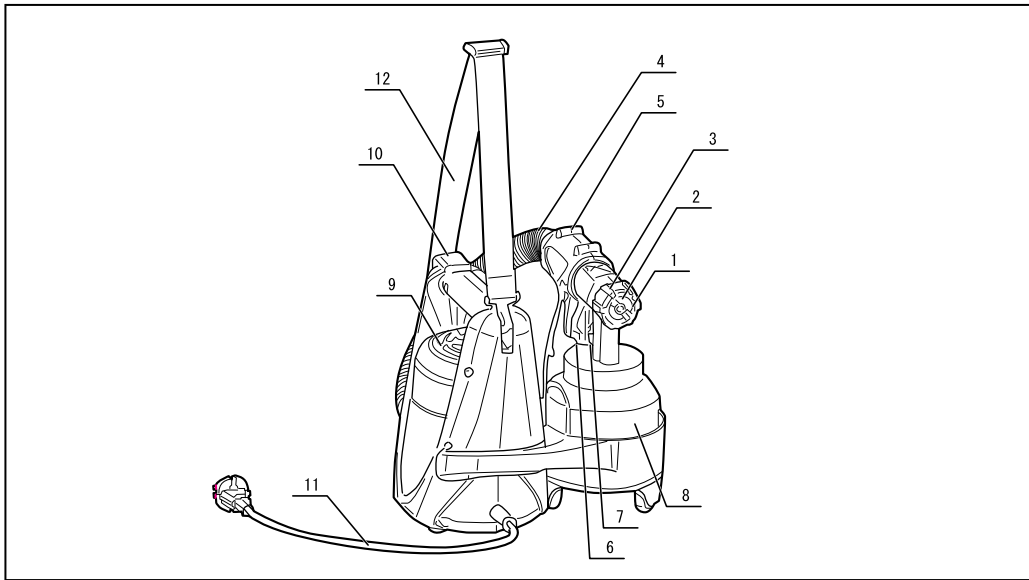
PS-700

GB OWNER'S OPERATING MANUAL

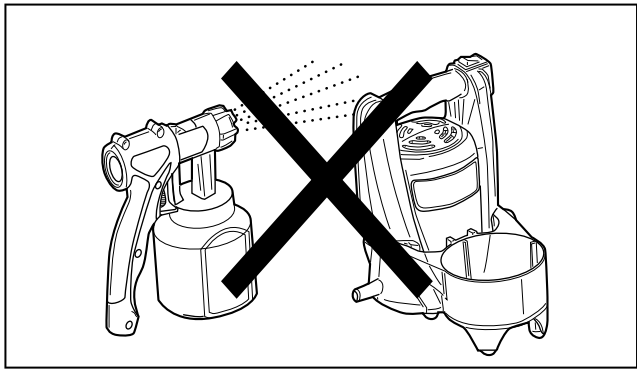


CE

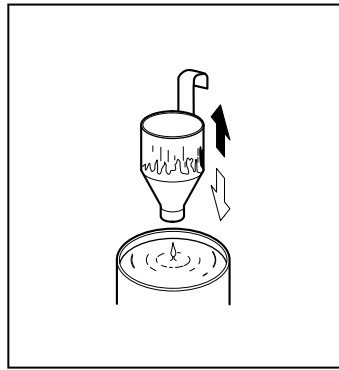
6986558 (STD)
09-12



6



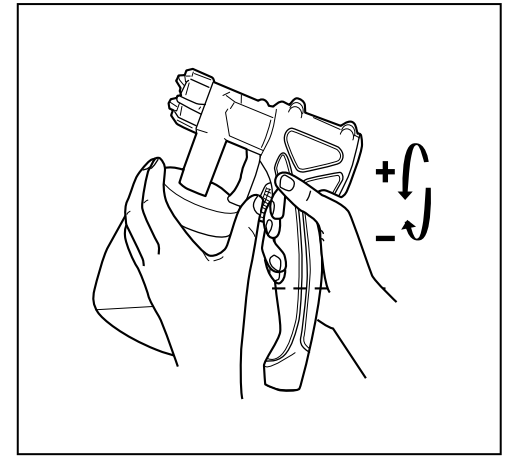
1



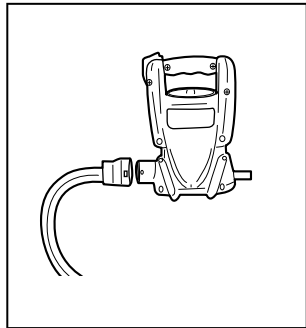
2

Vertical flat jet	
Horizontal flat jet	
Round jet	

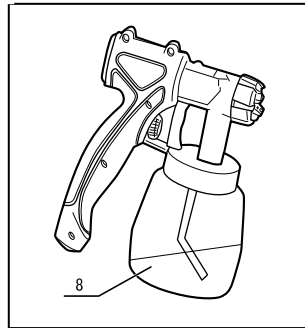
7



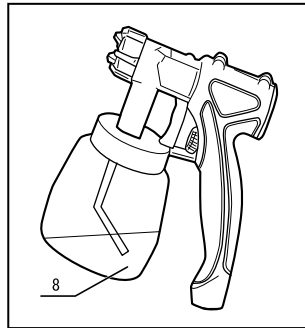
8



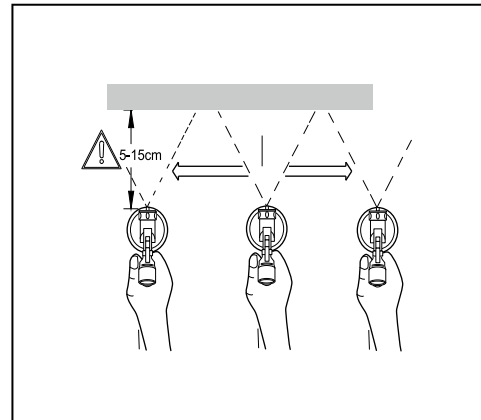
3



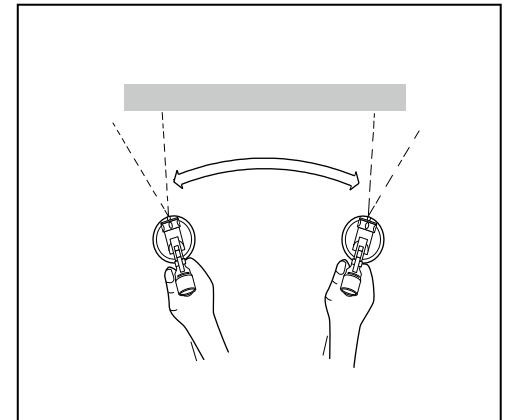
4



5



9



10

THANK YOU FOR BUYING A RYOBI PRODUCT.
To ensure your safety and satisfaction, carefully read through this OWNER'S MANUAL before using the product.

General Safety Rules

WARNING! Read all instructions. Failure to follow all instructions listed below may result in electric shock, fire and/or serious injury. The term "power tool" in all of the warnings listed below refers to your mains-operated (corded) power tool or battery-operated (cordless) power tool.

SAVE THESE INSTRUCTIONS

1) Work area

- a) **Keep work area clean and well lit.** Cluttered and dark areas invite accidents.
- b) **Do not operate power tools in explosive atmospheres, such as in the presence of flammable liquids, gases or dust.** Power tools create sparks which may ignite the dust or fumes.
- c) **Keep children and bystanders away while operating a power tool.** Distractions can cause you to lose control.

2) Electrical safety

- a) **Power tool plugs must match the outlet. Never modify the plug in any way. Do not use any adapter plugs with earthed (grounded) power tools.** Unmodified plugs and matching outlets will reduce risk of electric shock
- b) **Avoid body contact with earthed or grounded surfaces such as pipes, radiators, ranges and refrigerators. There is an increased risk of electric shock if your body is earthed or grounded.**
- c) **Do not expose power tools to rain or wet conditions.** Water entering a power tool will increase the risk of electric shock.
- d) **Do not abuse the cord. Never use the cord for carrying, pulling or unplugging the power tool. Keep cord away from heat, oil, sharp edges or moving parts.** Damaged or entangled cords increase the risk of electric shock.
- e) **When operating a power tool outdoors, use an extension cord suitable for outdoor use.** Use of a cord suitable for outdoor use reduces the risk of electric shock.

3) Personal safety

- a) **Stay alert, watch what you are doing and use common sense when operating a power tool. Do not use a power tool while you are tired or under the influence of drugs, alcohol or medication.** A moment of inattention while operating power tools may result in serious personal injury.
- b) **Use safety equipment. Always wear eye protection.** Safety equipment such as dust mask, non-skid safety shoes, hard hat, or hearing protection used for appropriate conditions will reduce personal injuries.
- c) **Avoid accidental starting. Ensure the switch is in the off-position before plugging in.** Carrying power tools with your finger on the switch or plugging in power tools that have the switch on invites accidents.
- d) **Remove any adjusting key or wrench before turning the power tool on.** A wrench or a key left attached to a rotating part of the power tool may result in personal injury.
- e) **Do not overreach. Keep proper footing and balance at all times.** This enables better control of the power tool in unexpected situations.
- f) **Dress properly. Do not wear loose clothing or jewellery. Keep your hair, clothing and gloves away from moving parts.** Loose clothes, jewellery or long hair can be caught in moving parts.

g) **If devices are provided for the connection of dust extraction and collection facilities, ensure these are connected and properly used.** Use of these devices can reduce dust-related hazards.

4) Power tool use and care

- a) **Do not force the power tool. Use the correct power tool for your application.** The correct power tool will do the job better and safer at the rate for which it was designed.
- b) **Do not use the power tool if the switch does not turn it on and off.** Any power tool that cannot be controlled with the switch is dangerous and must be repaired.
- c) **Disconnect the plug from the power source and/or the battery pack from the power tool before making any adjustments, changing accessories, or storing power tools.** Such preventive safety measures reduce the risk of starting the power tool accidentally.
- d) **Store idle power tools out of the reach of children and do not allow persons unfamiliar with the power tool or these instructions to operate the power tool.** Power tools are dangerous in the hands of untrained users.
- e) **Maintain power tools. Check for misalignment or binding of moving parts, breakage of parts and any other condition that may affect the power tools operation. If damaged, have the power tool repaired before use.** Many accidents are caused by poorly maintained power tools.
- f) **Keep cutting tools sharp and clean.** Properly maintained cutting tools with sharp cutting edges are less likely to bind and are easier to control.
- g) **Use the power tool, accessories and tool bits etc., in accordance with these instructions and in the manner intended for the particular type of power tool, taking into account the working conditions and the work to be performed.** Use of the power tool for operations different from those intended could result in a hazardous situation.

5) Battery tool use and care

- a) **Ensure the switch is in the off position before inserting battery pack.** Inserting the battery pack into power tools that have the switch on invites accidents.
- b) **Recharge only with the charger specified by the manufacturer.** A charger that is suitable for one type of battery pack may create a risk of fire when used with another battery pack.
- c) **Use power tools only with specifically designated battery packs.** Use of any other battery packs may create a risk of injury and fire.
- d) **When battery pack is not in use, keep it away from other metal objects like paper clips, keys, nails, screws, or other metal objects that can make a connection from one terminal to another.** Shorting the battery terminals together may cause burns or a fire.
- e) **Under abusive conditions, liquid may be ejected from the battery; avoid contact. If contact accidentally occurs, flush with water. If liquid contacts eyes, additionally seek medical help.** Liquid ejected from the battery may cause irritation or burns.

6) Service

- a) **Have your power tool serviced by a qualified repair person using only identical replacement parts.** This will ensure that the safety of the power tool is maintained.

SAFETY INSTRUCTIONS FOR PAINT SPRAYER

CAUTION! Danger of injury! Never point the spray gun at yourself or other persons or animals.

1. Only coating materials such as paints, enamels, varnishes, etc, with a flash point of 21°C hand above may be sprayed, without additional warming.
2. The device may not be based in work places which are covered by the explosion protection regulations.
3. When spraying, ensure that there are no sources of ignition, e.g. open fire, cigarettes, cigars, and pipes, sparks, glowing wires, hot surfaces, etc, in the area.
4. Wear breathing protection when spraying.
5. Inside and outside care must be taken that no solvent vapors are sucked into the device.
6. When outdoors observe wind direction. When working indoors ensure that there is sufficient ventilation.
7. Do not spray at the device.
8. The device only splash-proof when the air hose is correctly connected.
9. Do not let children play with the device. Keep out of reach of children.
10. Care must be taken that the mains cable is not damaged. If damage is observed, bake immediately to RYOBI authorized service centre to be changed.
11. Do not use spray guns to spray flammable liquids.
12. Do not clean spray guns with flammable solvents.
13. Take precautionary measures against potential hazards from spray liquid and follow any instructions given on containers or laid down by the manufacturer of liquid.
14. Do not spray any liquids of unknown hazard potential.
15. Forbidden to spray to the hatch of the motor and etc.
16. When spraying normally, the main unit should not be under the head of the gun and the container (Fig. 1).

EXPLANATION OF THE SYSTEM

The device works according to low pressure spraying technique. A high volume of air surrounds the spray jet being ejected under low pressure. The air cap provides a very fine atomization with the lowest of spray mist. The coating material is applied to the object quickly and exactly. Moreover, the air flow shortens the drying time for the coating material. This gives perfect spraying result with a respective saving of coating material and is therefore good for the environment.

DESCRIPTION

1. Air cap
2. Nozzle
3. Union nut
4. Air hose
5. Spray gun
6. Material flow adjustment dial
7. Trigger
8. Container
9. Motor blower
10. ON/OFF switch
11. Mains cable
12. Shoulder Strap

SPECIFICATIONS

Voltage.....	230V, 50Hz
Power input.....	500W
Spraying pressure.....	0.1-0.2bar
Air volume.....	1000L/min
Max viscosity.....	40DIN-S
Nozzle.....	Φ2.5mm
Container capacity.....	700ml
Air hose length.....	1.8mm
Sound pressure level.....	80 dB(A)
Oscillation level.....	< 0.25m/s ²
Net weight (Hedge trimmer).....	2.9 kg

APPLICATION

Interior and exterior painting and staining of decks, outdoor furniture, fences, and walls

MATERIALS WHICH CAN BE USED

Solvent containing and water-dilutable enamel paints, vanishes, primers, two-component paints, clear enamels, motor-vehicle enamels, mordants and wood protectives.

MATERIALS WHICH CAN NOT BE USED

Wall paints (emulsions) etc., lye and acid containing coating materials.

PREPARATION

MEASURING THE VISCOSITY (Fig. 2)

Information regarding a sprayable dilution is normally not to be found on the material tin. Therefore, please use the viscosity table viscosity=thickness of the coating material on the page 4.

1. Thoroughly stir the coating material before starting measurement.
2. Immerse the viscosity measuring cup (contents 100cm³) completely in the coating material below rim level and allow filling.
3. Lift the viscosity measuring cup and measure the time in seconds until the flow of coating material stops.

Note: The runout time is called DIN seconds (DIN-s).

Viscosity table see page 4

ATTACH THE AIR HOSE (Fig. 3)

VISCOSITY TABLE	
Coating material	Viscosity DIN-s
Solvent containing gloss paints	15-50
Primers	25-50
Mordants	undiluted
2 component paints	20-50
Clear varnishes	15-40
Water-dilutable gloss paints	20-40
Motor-vehicle enamels	20-40
Wood preservatives	undiluted

- **Device end:** Place air hose (4) end with pin in guide, and secure it by turning.
- **Spray gun end:** Place the air hose firmly into the connection on the spray gun.

WARNING! Always ensure that the sprayer is switched off and totally stop before making any adjustments.

ADJUST THE ASCENDING PIPE

1. Unscrew the container (8) from the spray gun
2. Adjust the ascending pipe accordingly
It should be possible to spray the container leaving hardly any material left in the container.

SPRAYING HORIZONTAL OBJECTS (Fig. 4)

Turn ascending pipe forwards following the steps in "ADJUST THE ASCENDING PIPE".

SPRAYING OVERHEAD OBJECTS (Fig. 5)

Turn the ascending pipe to point backwards following the steps in "ADJUST THE ASCENDING PIPE".

ADJUSTING THE SPRAY PATTERN (Fig. 6, 7)

1. Loosen the union nut (3).
2. Turn the air cap (1) to the required spraying pattern.
Vertical flat jet --- for vertical surfaces
Horizontal surfaces --- for horizontal surfaces
Round jet --- for corners and edges and other badly accessible places

ADJUSTING AMOUNT OF MATERIAL FLOW (Fig. 8)

The material flow can be adjusted by the material flow adjustment dial. To increase the material flow, turn the dial in the counter-clockwise direction (+). To decrease, turn it in the clockwise direction (-).

FILLING SPRAYER WITH PAINT

Remove and discard any skin that has formed on top of the paint or stain, then thoroughly mix the material in its original container before beginning.

NOTE: Older containers of stain and paint may need to be strained before use.
Unplug the sprayer.

1. Remove the container by twisting counterclockwise.
2. Fill the container with paint or stain as desired. Do not fill above the max fill mark on the container.
3. Reinstall the container on the sprayer and twist clockwise.

OPERATION

CAUTION!: Screw the container firmly onto the spray gun after filling it with coating material.

CAUTION!: Only place the device on an even and clean

surfaces. Device could suck dust, etc.

STARTING AND STOPPING

1. To start the sprayer, turn the On/off switch to ON position, and then squeeze the trigger switch.
2. To stop the sprayer, release the trigger switch, and then turn the On/off switch to OFF position.

Important: CLEAN THE UNIT AFTER THE COMPLETION OF SPRAYING

SPRAYING TECHNIQUE

The spraying result depends considerably on how smooth and cleans the surface of the objects. For this reason the surface should be carefully prepared and kept free of dust. Surfaces not to be sprayed should be covered with sticky tape and masking paper or other materials. Cover threads and the like on the object to be sprayed.
It is advisable to carry out a trial spraying onto cardboard or a similar surface to find the most suitable spray gun adjustments.
Important: Start spraying from outside the surface to be sprayed and do not stop sliding on the surface.

Correct spraying (Fig. 9): Always hold the spray gun at an even distance of approx. 5-15cm from the object to be sprayed, and move the spray gun evenly across or up and down, depending on the adjusted spraying effect. Even movement of the spray gun will give a uniform surface quality.

Incorrect spraying (Fig. 10): Excessive paint mist formation makes uneven surface finish.

Important: Always keep the nozzle and air cap clean.

If coating material buildup on the nozzle and air cap, clean both parts with solvent or water.

MAINTENANCE MAINTENANCE PROCEDURES

Note: Always unplug the unit before attempting a service operation.
Avoid using solvents when cleaning plastic parts. Most plastics are susceptible to damage from various types of commercial solvents and may be damaged by their use. Use clean cloths to remove dirt, dust, oil, grease, etc.

CLEANING THE SPRAYER AFTER USE

1. Turn off device. Release trigger so that the coating material in spray gun runs back into the container.
2. Remove the paint container and return any unused paint or stain to its original container.
3. Clean the container and ascending pipe with a brush.
4. Fill the container with solvent or water, and reinstall the container.
5. Plug in the sprayer, and spray the solution onto a piece of cardboard or other scrap material. Continue spraying until all

- the solution is used.
- 6. Repeat the above procedure until clear solvent or water comes out of the nozzle.
- 7. Unplug the sprayer, and then make the container completely empty. Always keep the container seal free of coating material and check for damage.
- 8. Clean the outside of the spray gun and container with a soft cloth.
- 9. Unscrew the union nut, and then remove air cap .Clean the air cap and nozzle with brush and solvent or water.

Important: If use solvent, use a solvent with a flash point of over 21°C

Note: Never clean the nozzle or air hole of the spray gun with

sharp metallic objects.

It is recommended that you take this tool to a Ryobi Authorized Service Center for a thorough cleaning and lubrication at least once a year.

WARNING! To ensure safety and reliability, all repairs should be performed by an AUTHORIZED SERVICE CENTER or other QUALIFIED SERVICE ORGANIZATION.

SAVE THESE INSTRUCTIONS FOR FUTURE REFERENCE.

TROUBLESHOOTING

Problem	Cause	Remedy
No coating material emerges from the nozzle	Nozzle clogged Feed tube clogged Material volume setting turned too far to the left (-) Feed tube loose No pressure build-up in container	Clean Clean Turn to the right (+) Insert Tighten container
Coating material drips from the nozzle	Nozzle loose Nozzle worn Nozzle seal worn Coating material assembly at air cap, nozzle or needle	Tighten Change Change Clean
Atomisation too coarse	Viscosity of coating material too high Material volume too large Material volume adjusting screw turned too far to the right (+) Nozzle contaminated Air filter heavily soiled Too little pressure build-up in container	Thin Turn material volume adjusting screw to the left (-) Clean Change Tighten container
Spray jet pulsates	Coating material in container running out Air filter heavily soiled	Refill Change
Coating material causes "paint tears"	Too much coating material applied.	Turn material volume adjusting screw to the left (-)
Too much fog of coating material (Overspray)	Distance to the object too large Too much coating material applied	Reduce distance Turn material volume adjusting screw to the left (-)
Paint in the ventilating hose	Diaphragm soiled Diaphragm defective	Clean the diaphragm Replace the diaphragm

RYOBI POWER EQUIPMENT WARRANTY

Subject to the warranty conditions below, this RYOBI tool (hereinafter called "the Product"), is warranted by Ryobi (herein called "the Company") to be free from defects in material or workmanship for a period of 24 months from the date of original purchase covering both parts and labour. Under the terms of this warranty, the repair or replacement of any part shall be the opinion of the Company or its authorised agent. Should service become necessary during the warranty period, the owner should contact the authorised Ryobi retailer from whom the product was purchased, or the nearest Company branch office. In order to obtain warranty service, the owner must include the Sales Docket and Warranty Certificate to confirm date of purchase. This Product is sold by the dealer or agent as principal and the dealer has no authority from the Company to give any additional warranty or guarantee on the Company's behalf except as herein contained or herein referred to.

Warranty Conditions

This warranty only applies provided that the Product has been used in accordance with the manufacturer's recommendations under normal use and reasonable care (in the opinion of the Company) and such warranty does not cover consumable components, damage, malfunction or failure resulting from

misuse, neglect, abuse, or used for a purpose for which it was not designed, or is not suited and no repairs, alterations or modifications have been attempted by other than an Authorised Service Agent. This guarantee will not apply if the tool is damaged by accident or if repairs arise from normal wear and tear.

Accessories such as bits, blades, sanding discs, cutting lines, etc., are excluded from this guarantee. Normal consumable parts, such as carbon brushes, bearings, chucks, cord assembly's, spark plugs, recoil pulleys and bump head assembly's are specifically excluded from this guarantee.

The Company accepts no additional liability pursuant to this warranty for the costs of traveling or transportation of the Product or parts to and from the service dealer or agent - which costs are not included in the warranty.

Nothing herein shall have the effect of excluding, restricting or modifying any conditions, warranty, right or liability imposed, to the extent only that such exclusion, restriction or modification would render any term herein void.



STEVENS & CO (Pty) Ltd
604, 16th Street, Randjespark
Midrand, South Africa

P O Box 4059
HALFWAY HOUSE
1685, South Africa

Tel: +27 (11) 357-9600
Fax: +27 (11) 805-5541
email: stevens@ryobi.co.za

THIS WARRANTY FORM SHOULD BE RETAINED BY THE CUSTOMER AT ALL TIMES.

For your record and to assist in establishing date of purchase (necessary for in-warranty service), please keep your purchase docket and this form, completed with the following particulars.

PURCHASED FROM:.....
 ADDRESS OF DEALER:.....
 DATE:..... MODEL NO..... SERIAL NO.....

Present this form with your Purchase Docket when Warranty Service is required.