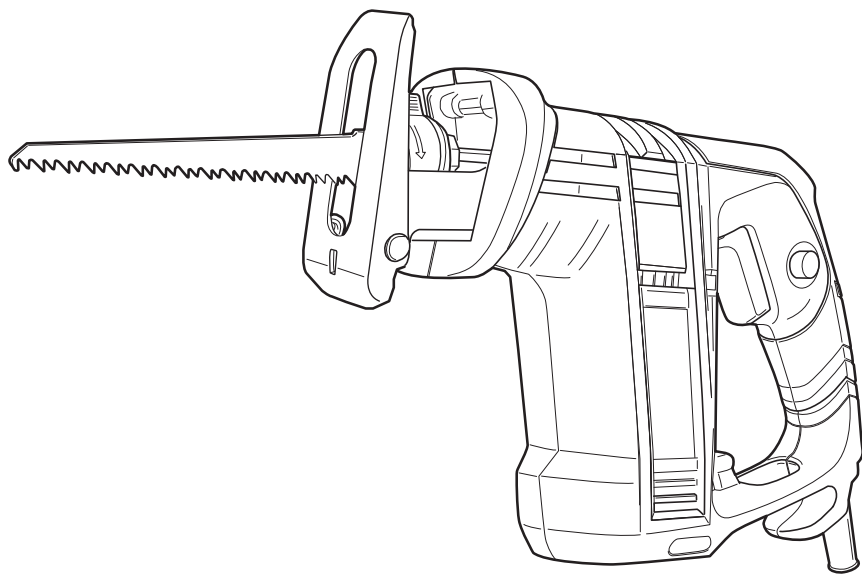


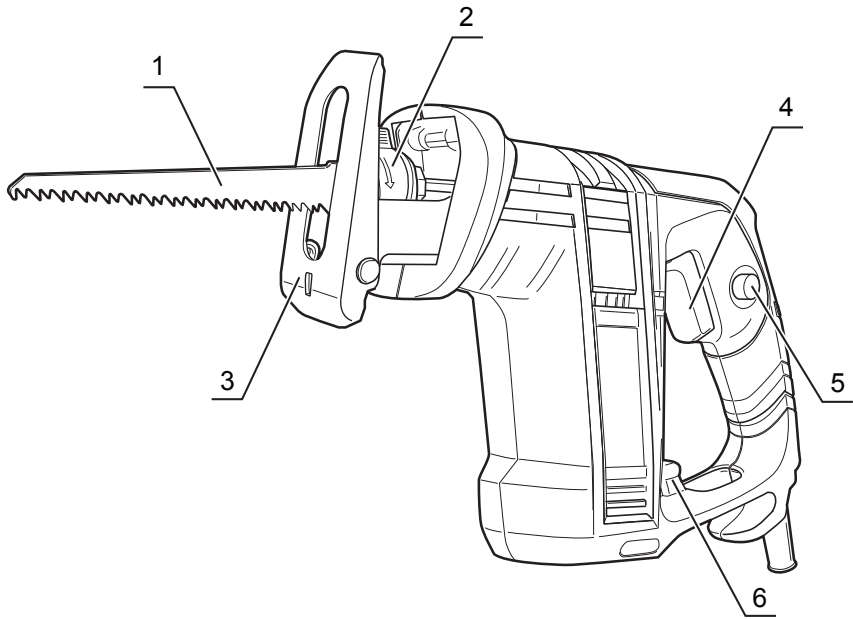
# RYOBI®

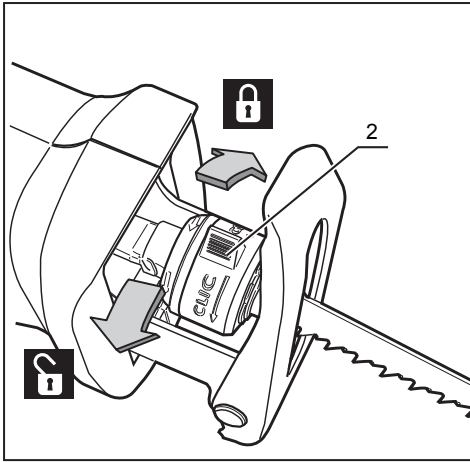
## RMS-350

GB OWNER'S OPERATING MANUAL

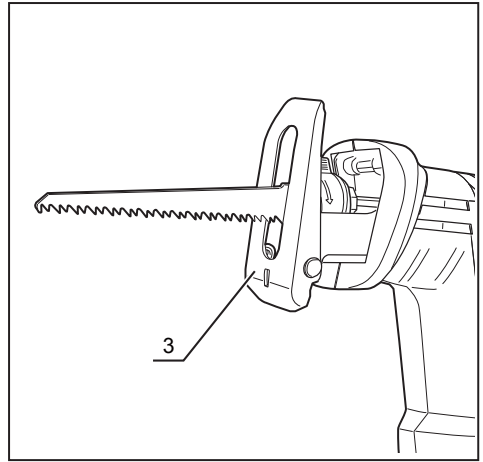


CE □

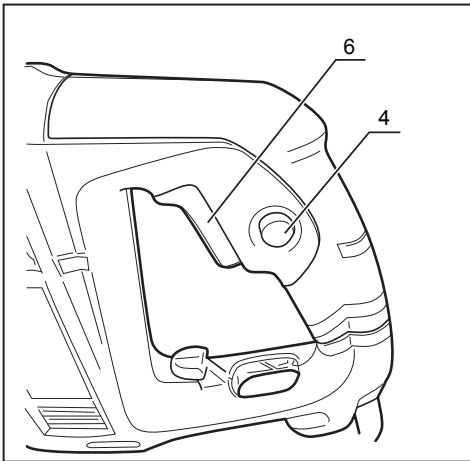




1



2



3

**THANK YOU FOR BUYING A RYOBI PRODUCT.**

To ensure your safety and satisfaction, carefully read through this OWNER'S MANUAL before using the product.

**General Safety Rules**

**WARNING!** Read all instructions. Failure to follow all instructions listed below may result in electric shock, fire and/or serious injury. The term "power tool" in all of the warnings listed below refers to your mains-operated (corded) power tool or battery-operated (cordless) power tool.

**SAVE THESE INSTRUCTIONS****1) Work area**

- a) **Keep work area clean and well lit.** Cluttered and dark areas invite accidents.
- b) **Do not operate power tools in explosive atmospheres, such as in the presence of flammable liquids, gases or dust.** Power tools create sparks which may ignite the dust or fumes.
- c) **Keep children and bystanders away while operating a power tool.** Distractions can cause you to lose control.

**2) Electrical safety**

- a) **Power tool plugs must match the outlet. Never modify the plug in any way. Do not use any adapter plugs with earthed (grounded) power tools.** Unmodified plugs and matching outlets will reduce risk of electric shock
- b) **Avoid body contact with earthed or grounded surfaces such as pipes, radiators, ranges and refrigerators.** There is an increased risk of electric shock if your body is earthed or grounded.
- c) **Do not expose power tools to rain or wet conditions.** Water entering a power tool will increase the risk of electric shock.
- d) **Do not abuse the cord. Never use the cord for carrying, pulling or unplugging the power tool. Keep cord away from heat, oil, sharp edges or moving parts.** Damaged or entangled cords increase the risk of electric shock.
- e) **When operating a power tool outdoors, use an extension cord suitable for outdoor use.** Use of a cord suitable for outdoor use reduces the risk of electric shock.

**3) Personal safety**

- a) **Stay alert, watch what you are doing and use common sense when operating a power tool. Do not use a power tool while you are tired or under the influence of drugs, alcohol or medication.** A moment of inattention while operating power tools may result in serious personal injury.
- b) **Use safety equipment. Always wear eye protection.** Safety equipment such as dust mask, non-skid safety shoes, hard hat, or hearing protection used for appropriate conditions will reduce personal injuries.

- c) **Avoid accidental starting. Ensure the switch is in the off-position before plugging in.** Carrying power tools with your finger on the switch or plugging in power tools that have the switch on invites accidents.
- d) **Remove any adjusting key or wrench before turning the power tool on.** A wrench or a key left attached to a rotating part of the power tool may result in personal injury.
- e) **Do not overreach. Keep proper footing and balance at all times.** This enables better control of the power tool in unexpected situations.
- f) **Dress properly. Do not wear loose clothing or jewellery. Keep your hair, clothing and gloves away from moving parts.** Loose clothes, jewellery or long hair can be caught in moving parts.
- g) **If devices are provided for the connection of dust extraction and collection facilities, ensure these are connected and properly used.** Use of these devices can reduce dust-related hazards.

**4) Power tool use and care**

- a) **Do not force the power tool. Use the correct power tool for your application.** The correct power tool will do the job better and safer at the rate for which it was designed.
- b) **Do not use the power tool if the switch does not turn it on and off.** Any power tool that cannot be controlled with the switch is dangerous and must be repaired.
- c) **Disconnect the plug from the power source before making any adjustments, changing accessories, or storing power tools.** Such preventive safety measures reduce the risk of starting the power tool accidentally.
- d) **Store idle power tools out of the reach of children and do not allow persons unfamiliar with the power tool or these instructions to operate the power tool.** Power tools are dangerous in the hands of untrained users.
- e) **Maintain power tools. Check for misalignment or binding of moving parts, breakage of parts and any other condition that may affect the power tools operation. If damaged, have the power tool repaired before use.** Many accidents are caused by poorly maintained power tools.
- f) **Keep cutting tools sharp and clean.** Properly maintained cutting tools with sharp cutting edges are less likely to bind and are easier to control.
- g) **Use the power tool, accessories and tool bits etc., in accordance with these instructions and in the manner intended for the particular type of power tool, taking into account the working conditions and the work to be performed.** Use of the power tool for operations different from intended could result in a hazardous situation.

**5) Service**

- a) **Have your power tool serviced by a qualified repair person using only identical replacement parts.** This will ensure that the safety of the power tool is maintained.

## RECIPROCATING SAWS SAFETY PRECAUTIONS

### GENERAL

- Be familiar with the controls and the proper use of the tool.
- The user is responsible for accidents or hazards occurring to other people or their property.

### PERSONAL SAFETY

- This tool should not be used by people under the age of 16 years.
- Do not work materials containing asbestos (asbestos is considered carcinogenic).
- Dust from material such as paint containing lead, some wood species, minerals and metal may be harmful (contact with or inhalation of the dust may cause allergic reactions and/or respiratory diseases to the operator or bystanders); **wear a dust mask and work with a dust extraction device when connectable.**
- Certain kinds of dust are classified as carcinogenic (such as oak and beech dust) especially in conjunction with additives for wood conditioning; **wear a dust mask and work with a dust extraction device when connectable.**
- Follow the dust-related national requirements for the materials you want to work with.
- Wear protective glasses and hearing protection.
- **Do not reach underneath the workpiece** (the proximity of the blade to your hand is hidden from your sight).
- **Keep hands away from between the tool housing and blade clamp A** (the blade clamp can pinch your fingers).
- **Keep hands away from cutting area and the blade keep your second hand on barrel grip B** (if both hands are holding the saw, they can not be cut by the blade).
- **Never hold piece being cut in your hands or across your leg** (it is important to support the work properly to minimize body exposure, blade binding, or loss of control).
- **Use clamps or other equipment to secure and support the workpiece** (holding the workpiece in your hand or against your body may lead to loss of control).
- **Use protective gloves when removing the blade from the tool** (the saw blade may be hot after prolonged use).

### ELECTRICAL SAFETY

- Always check that the supply voltage is the same as the voltage indicated on the nameplate of the tool (tools with a rating of 230V or 240V can also be connected to a 220V supply).
- Inspect the cord periodically and have it replaced by a qualified person, if damaged.
- Only use an extension cord which is intended for outdoor use and equipped with a watertight plug and coupling-socket.
- Inspect the extension cord periodically and replace it, if damaged (inadequate extension cords can be dangerous).
- Use completely unrolled and safe extension cords with a capacity of 16 Amps (U.K. 13 Amps).
- When operating the tool use a residual current device (RCD) with a tripping current of 30 mA maximum.

- **Hold tool by insulated gripping surfaces when performing an operation where the cutting tool may contact hidden wiring or its own cord** (contact with a "live" wire will also make exposed metal parts of the tool "live" and shock the operator).
- **Use suitable detectors to find hidden utility lines or call the local utility company for assistance** (contact with electric lines can lead to fire or electrical shock; damaging a gas line can result in an explosion; penetrating a water pipe will cause property damage or an electrical shock).
- Do not run over, crush or pull the (extension) cord.
- Protect the (extension) cord from heat, oil and sharp edges.
- Always switch off tool and disconnect plug from power source if the power supply cord or the extension cord is cut, damaged or entangled (**do not touch the cord before disconnecting the plug**).

### ACCESSORIES

- Do not use a dull or damaged blade (bent blades can break easily or cause kickback)

### BEFORE USE

- Avoid damage that can be caused by screws, nails and other elements in your workpiece; remove them before you start working.
- **Ensure that blade clamp is tight before making a cut** (a loose clamp may cause the tool or blade to slip with loss of control as a result).
- Only use the tool in daylight or with appropriate artificial lighting.

### DURING USE

- Do not get distracted and always concentrate on what you are doing.
- Always ensure that the ventilation openings are kept clear of debris.
- In case of electrical or mechanical malfunction, immediately switch off the tool and disconnect the plug.

### AFTER USE

- Before you put down the tool, switch off the motor and ensure that all moving parts have come to a complete standstill.
- Always disconnect plug from power source.
  - whenever leaving the tool unattended
  - before clearing jammed material
  - before checking, cleaning or working on the tool
  - after striking a foreign object
  - whenever the tool starts vibrating abnormally
- Store the tool indoors in a dry and locked-up place, out of reach of children.

**DESCRIPTION**

1. Blade
2. Blade clamp release lever
3. Pivot blade shoe
4. On/ Off switch
5. Lock on button
6. Cord restraint

**ACCESSORIES:**

- a. Wood blade x 1pc
- b. Metal blade x 1pc
- c. Pruner blade x 1pc

**SPECIFICATIONS**

<b>Voltage</b> .....	230V ~ 50Hz
<b>Power input</b> .....	350W
<b>No load speed</b> .....	2,350min <sup>-1</sup>
<b>Stroke length</b> .....	18mm
<b>Cutting capacity</b> .....	wood: 60mm metal: 6mm
<b>Net weight</b> .....	1.5kg

**ATTACHING AND REMOVING SAW BLADE (Fig. 1)**

Rotate the blade clamp release lever (2), insert the blade shank into the blade clamp through the blade guard until it stops. Ensure the small hole in the blade is on the pin in the clamp then release the lever. Pull up on blade to make sure that it is locked in.

To remove a blade, carry out these instructions in reverse order.

**WARNING!** Blade teeth are very sharp. For best cutting results ensure you use a saw blade suited to the material and cut quality you need.

It is possible to make cuts extremely close to floors, walls and other difficult areas. Insert the blade shank into the blade clamp with the blade teeth facing up (opposite to normal working position). This will make cuts closer to the work surface.

**PIVOTING BLADE FOOT (Fig. 2)**

The pivoting blade foot (3) must be held firmly against the material being cut to reduce saw vibration, blade jumping and blade breakage.

**ON/OFF SWITCH (Fig. 3)**

- Switch on tool by first pressing Lock on button (4) and then pulling On/ Off switch (6).
- Switch off tool by releasing On/ Off switch (6).

**OPERATION**

- Connect plug to power source.
- Ensure power cord is located to the rear, away from the saw blade and so positioned that it will not be caught on branches or the like during cutting.
- Switch on the tool.

**CAUTION!** The tool should run at full speed before the blade enters the workpiece.

- Always engage the moving saw blade into the workpiece in a downward direction.
- Keep footplate firmly against the workpiece to minimize counter-force and vibration.

**WARNING!** While working, always hold the tool at the grey colored grip area(s).

- Do not apply too much pressure on the tool; let the tool do the work for you.
- Keep ventilation slots uncovered.

**WARNING!** Ensure that the saw blade extends beyond the work throughout the stroke.

- Support workpiece/ logs so that the face sides at the cut do not close in against each other, which would result in the blade being jammed or pinched.
- Position and set short logs safely prior to sawing.

**WARNING!** There is a risk of accidents when sawing wood or branches under tension, be careful!

**MAINTENANCE**

**ALWAYS KEEP TOOL AND CORD CLEAN.**

DO NOT MAKE ANY ADJUSTMENTS WHILE THE MOTOR IS IN MOTION.

After use, check the tool to make sure that it is in top condition.

It is recommended that you take this tool to a RYOBI Authorized Service Center for a thorough cleaning and lubrication at least once a year.

**CAUTION!** Disconnect the plug before cleaning.

**STORAGE**

Store the tool indoors in a dry and locked-up place, out of reach of children.

**To ensure safety and reliability, all repairs should be performed by an AUTHORIZED SERVICE CENTER or other QUALIFIED SERVICE ORGANIZATION.**

**SAVE THESE INSTRUCTIONS FOR FUTURE REFERENCE.**

— NOTE —

---

## RYOBI POWER EQUIPMENT WARRANTY

Subject to the warranty conditions below, this RYOBI tool (hereinafter called "the Product"), is warranted by Ryobi (herein called "the Company") to be free from defects in material or workmanship for a period of 24 months from the date of original purchase covering both parts and labour. Under the terms of this warranty, the repair or replacement of any part shall be the opinion of the Company or its authorised agent. Should service become necessary during the warranty period, the owner should contact the authorised Ryobi retailer from whom the product was purchased, or the nearest Company branch office. In order to obtain warranty service, the owner must include the Sales Docket and Warranty Certificate to confirm date of purchase. This Product is sold by the dealer or agent as principal and the dealer has no authority from the Company to give any additional warranty or guarantee on the Company's behalf except as herein contained or herein referred to.

### Warranty Conditions

This warranty only applies provided that the Product has been used in accordance with the manufacturer's recommendations under normal use and reasonable care (in the opinion of the Company) and such warranty does not cover consumable components, damage, malfunction or failure resulting from

misuse, neglect, abuse, or used for a purpose for which it was not designed, or is not suited and no repairs, alterations or modifications have been attempted by other than an Authorised Service Agent. This guarantee will not apply if the tool is damaged by accident or if repairs arise from normal wear and tear.

Accessories such as bits, blades, sanding discs, cutting lines, etc., are excluded from this guarantee. Normal consumable parts, such as carbon brushes, bearings, chucks, cord assembly's, spark plugs, recoil pulleys and bump head assembly's are specifically excluded from this guarantee.

The Company accepts no additional liability pursuant to this warranty for the costs of traveling or transportation of the Product or parts to and from the service dealer or agent - which costs are not included in the warranty.

Nothing herein shall have the effect of excluding, restricting or modifying any conditions, warranty, right or liability imposed, to the extent only that such exclusion, restriction or modification would render any term herein void.

# RYOBI®

### STEVENS & CO (Pty) Ltd

604, 16th Street, Randjespark  
Midrand, South Africa

P O Box 4059  
HALFWAY HOUSE  
1685, South Africa

Tel: +27 (11) 357-9600  
Fax: +27 (11) 805-5541  
email: [stevens@ryobi.co.za](mailto:stevens@ryobi.co.za)

### THIS WARRANTY FORM SHOULD BE RETAINED BY THE CUSTOMER AT ALL TIMES.

For your record and to assist in establishing date of purchase (necessary for in-warranty service), please keep your purchase docket and this form, completed with the following particulars.

PURCHASED FROM:.....

ADDRESS OF DEALER:.....

DATE:..... MODEL NO..... SERIAL NO.....

Present this form with your Purchase Docket when Warranty Service is required.